



2.4/5 GHz Dual-Band 1x1 Wi-Fi® 5 (802.11ac) + Bluetooth® 5.2 Solution

88W8987

Last Updated: May 9, 2024

The 88W8987 is a highly integrated Wi-Fi (2.4/5 GHz) and Bluetooth single-chip solution specifically designed to support the speed, reliability and quality requirements of Very High Throughput (VHT) products. The System-on-Chip (SoC) provides both simultaneous and independent operation of IEEE 802.11ac (Wave 2), 1x1 with data rates up to MCS9 (433 Mbit/s), and Bluetooth 5.2 (includes Low Energy (LE)). The SoC also provides Bluetooth Classic and Bluetooth Low Energy (LE) Smart Ready operation.

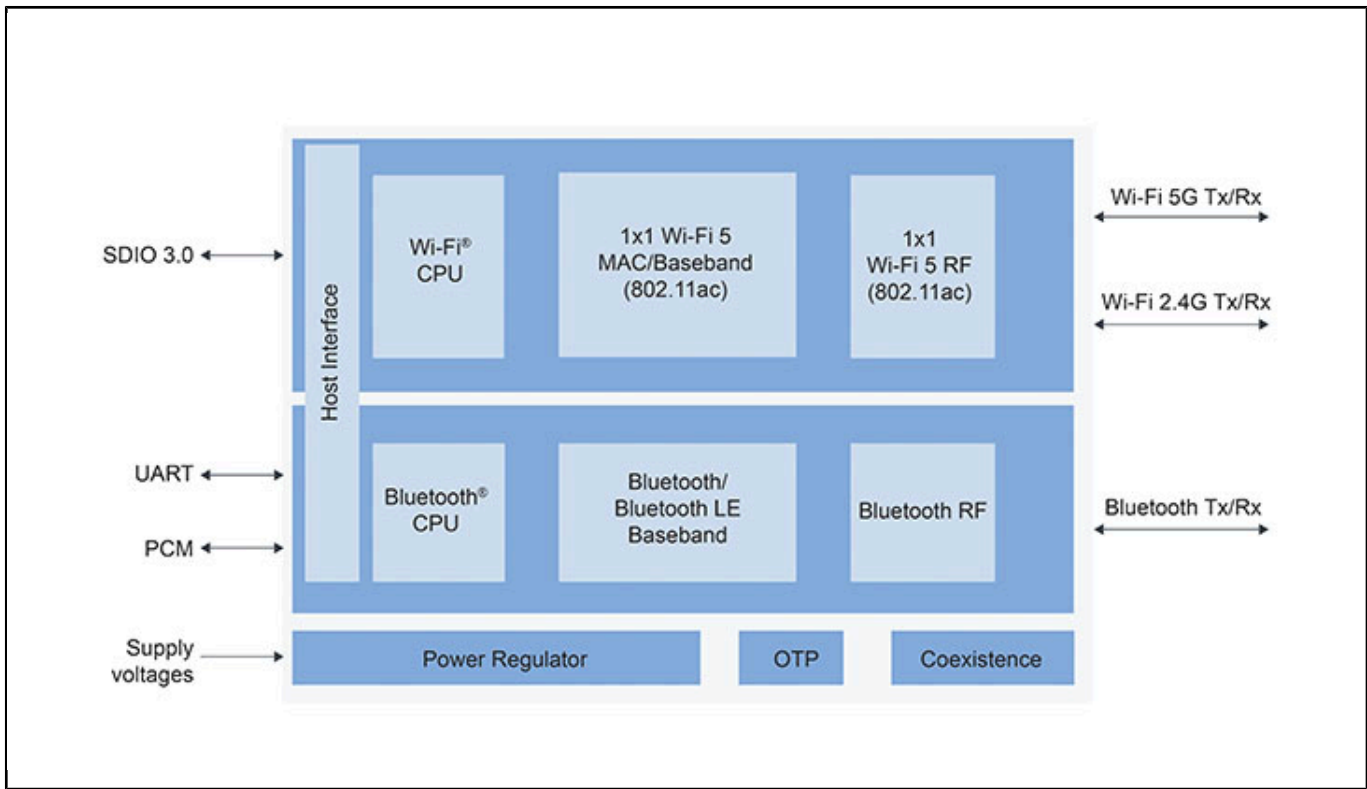
Host interfaces include SDIO 3.0 and high-speed UART interfaces for connecting Wi-Fi and Bluetooth technologies to the host processor.

The device is designed with two front-end configurations to accommodate Wi-Fi and Bluetooth on either separate or shared paths:

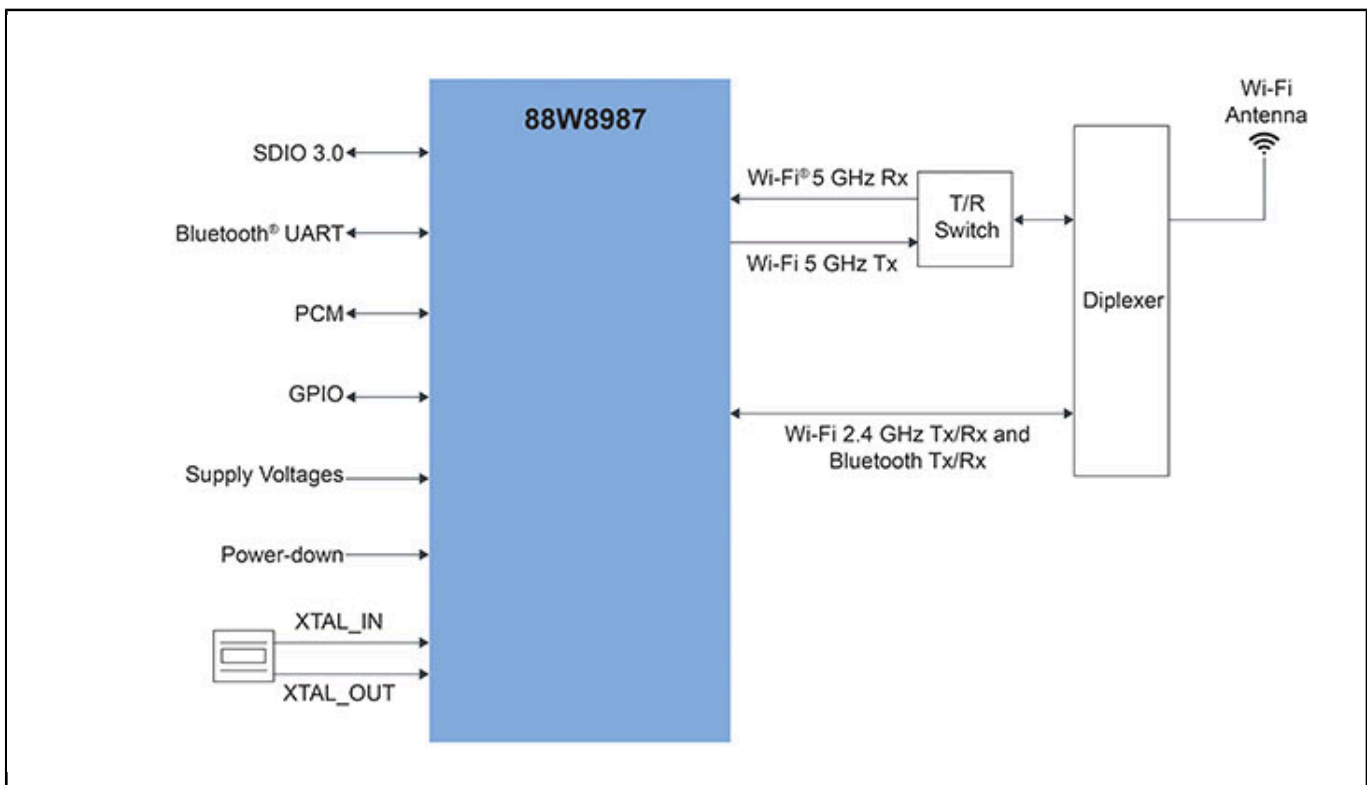
- 2-antenna configuration: 1x1 Wi-Fi and Bluetooth on separate paths (QFN)
- 1-antenna configuration: 1x1 Wi-Fi and Bluetooth on shared paths (eWLP)

Wireless modules based on the NXP 88W8987 are offered by leading [module manufacturers](#).

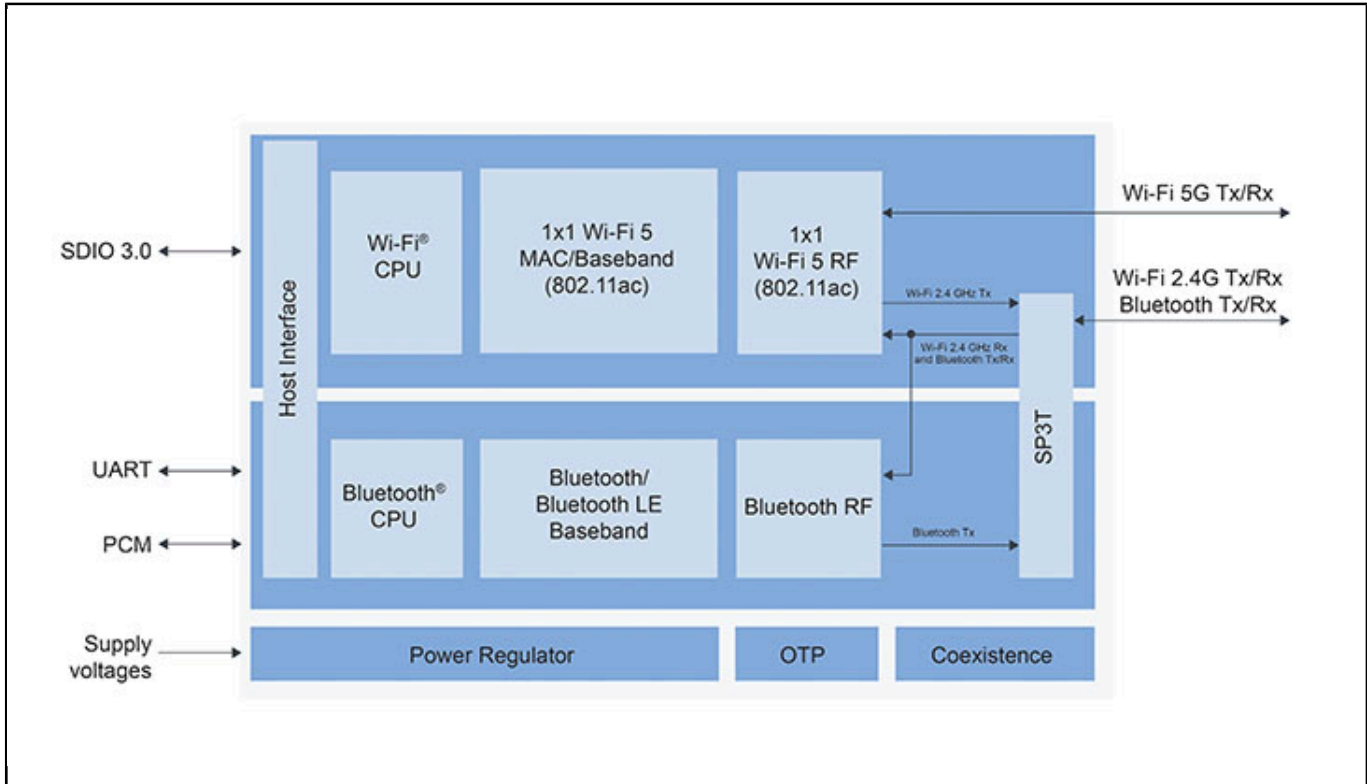
88W8987 internal diagram – QFN option Block Diagram



88W8987 application diagram – eWLP option Block Diagram



88W8987 internal diagram – eWLP option Block Diagram



View additional information for [2.4/5 GHz Dual-Band 1x1 Wi-Fi® 5 \(802.11ac\) + Bluetooth® 5.2 Solution](#).

Note: The information on this document is subject to change without notice.

www.nxp.com

NXP and the NXP logo are trademarks of NXP B.V. All other product or service names are the property of their respective owners. The related technology may be protected by any or all of patents, copyrights, designs and trade secrets. All rights reserved. © 2024 NXP B.V.