



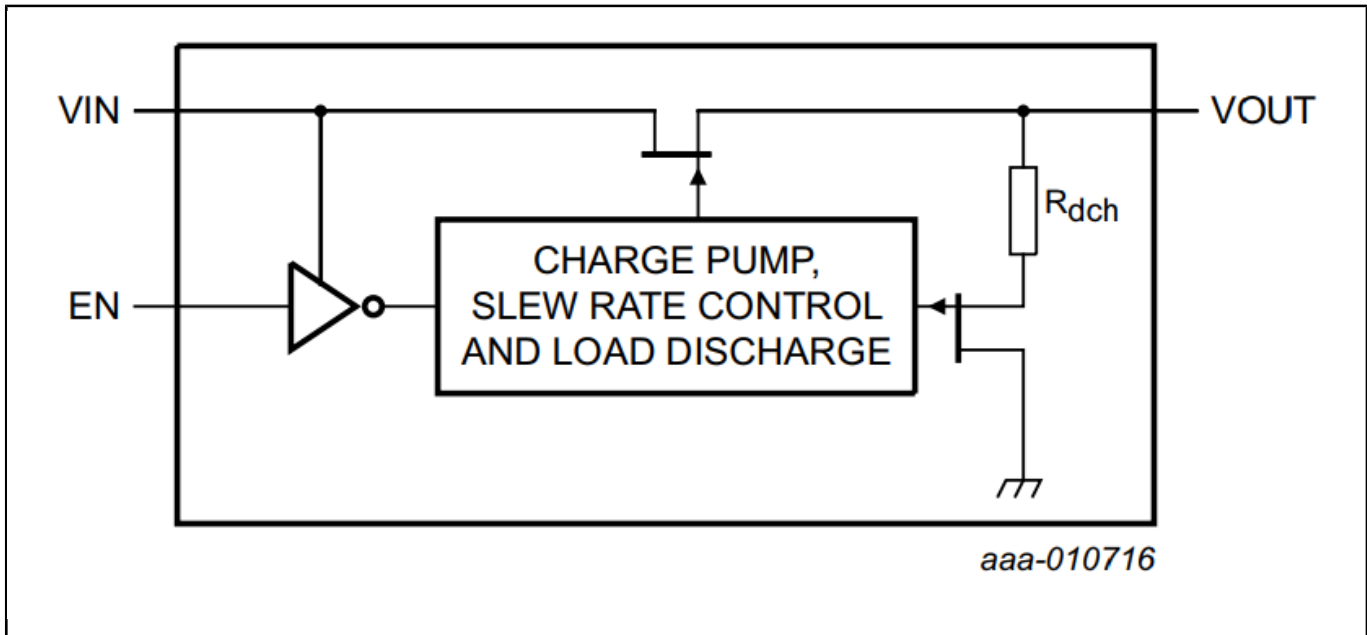
Logic-Controlled High-Side Power Switch

NX5P2924

Last Updated: Sep 5, 2022

The NX5P2924x is a family of high-side load switches which feature a low ON resistance N-channel MOSFET with controlled slew rate that supports 2.5 A of continuous current. Designed for operation from 0.8 V to 5.5 V, they are used in power domain isolation applications to reduce power dissipation and extend battery life. An output pull-down transistor has been integrated for fast discharge of capacitive load. The enable logic includes integrated logic level translation making these devices compatible with lower voltage processors and controllers. These products are ideal for portable, battery-operated applications due to low ground current.

Logic-Controlled High-Side Power Switch Block Diagram



View additional information for [Logic-Controlled High-Side Power Switch](#).

Note: The information on this document is subject to change without notice.

www.nxp.com

NXP and the NXP logo are trademarks of NXP B.V. All other product or service names are the property of their respective owners. The related technology may be protected by any or all of patents, copyrights, designs and trade secrets. All rights reserved. © 2024 NXP B.V.