

Chip Errata for the i.MX 6ULL

This document details the silicon errata known at the time of publication for the i.MX 6ULL multimedia applications processors.

Table 1 provides a revision history for this document.

Table 1. Document Revision History

Rev. Number	Date	Substantive Changes
Rev. 2	10/2019	<ul style="list-style-type: none">• Added following errata:<ul style="list-style-type: none">– ERR007881– ERR009165– ERR010481– ERR010739– ERR010740– ERR010822– ERR011421– ERR050070• Changes to the following erratum:<ul style="list-style-type: none">– ERR011163
Rev. 1.3	10/2017	<ul style="list-style-type: none">• Added a new erratum:<ul style="list-style-type: none">– ERR011163
Rev. 1.2	09/2017	<ul style="list-style-type: none">• Updated the silicon revision number in the Figure 1, "Revision Level to Part Marking Cross-Reference"• Added a new erratum:<ul style="list-style-type: none">– ERR011121

Table 1. Document Revision History (continued)

Rev. Number	Date	Substantive Changes
Rev. 1.1	05/2017	<ul style="list-style-type: none"> Updated the following Errata BSP status: <ul style="list-style-type: none"> ERR007265 ERR005778
Rev. 1	03/2017	<ul style="list-style-type: none"> Changed the document title to "Chip Errata" Updated the Figure 1, "Revision Level to Part Marking Cross-Reference" Updated the following Errata BSP status: <ul style="list-style-type: none"> ERR007265 ERR005778 ERR004446 ERR007805 Added new errata: <ul style="list-style-type: none"> ERR010661 ERR004535
Rev. 0	09/2016	<ul style="list-style-type: none"> Initial public release

Figure 1 provides a cross-reference to match the revision code to the revision level marked on the device.

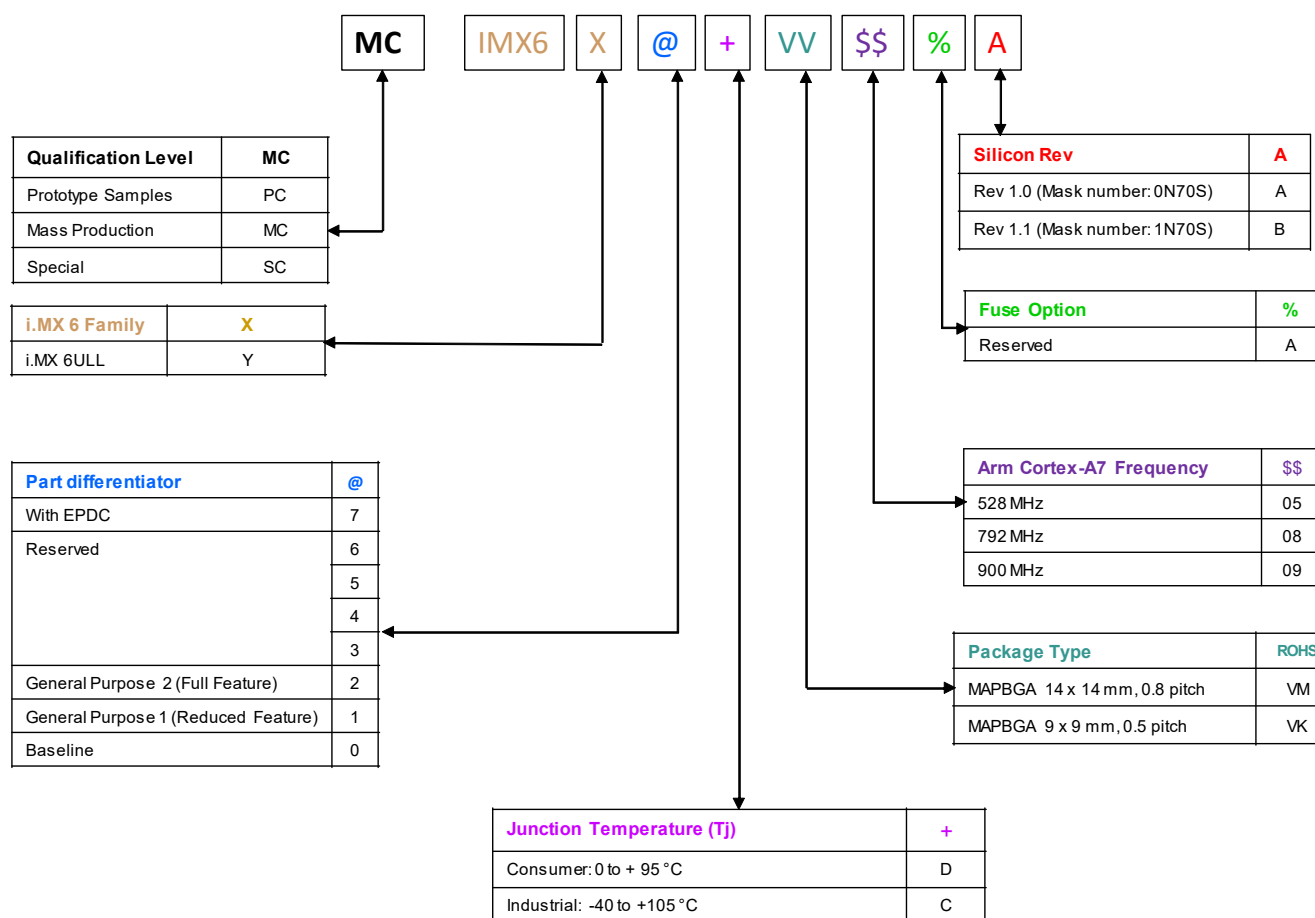


Figure 1. Revision Level to Part Marking Cross-Reference

For details on the Arm® configuration used on this chip (including Arm module revisions), see the “Platform configuration” section of the “Arm Cortex®-A7 MPCore Platform” chapter of the *i.MX 6ULL Applications Processor Reference Manual (IMX6ULLRM)*.

Table 2 summarizes errata on the i.MX 6ULL.

Table 2. Summary of Silicon Errata

Errata	Name	Solution	Page
Arm® – Cortex A7			
ERR008958	Arm/MP: 814220—B-Cache maintenance by set/way operations can execute out of order	No fix scheduled	5
ERR008959	Arm/MP: 809719—C PMU events 0x07, 0x0C, and 0x0E do not increment correctly	No fix scheduled	7
ERR008960	Arm/MP: 805420—C PMU event counter 0x14 does not increment correctly	No fix scheduled	9
ERR008961	Arm/MP: 804069—C Exception mask bits are cleared when an exception is taken in Hyp Mode	No fix scheduled	10
CCM			
ERR007265	CCM: When improper low-power sequence is used, the SoC enters low power mode before the Arm core executes WFI	No fix scheduled	11
eCSPI			
ERR009165	eCSPI: TXFIFO empty flag glitch can cause the current FIFO transfer to be sent twice	No fix scheduled	12
ERR009606	eCSPI: In master mode, burst lengths of $32n + 1$ will transmit incorrect data	No fix scheduled	13
ERR009535	eCSPI: Burst completion by SS signal in slave mode is not functional	No fix scheduled	14
EIM			
ERR004446	EIM: AUS mode is nonfunctional for devices larger than 32 MB	No fix scheduled	15
FlexCAN			
ERR005829	FlexCAN: FlexCAN does not transmit a message that is enabled to be transmitted in a specific moment during the arbitration process	No fix scheduled	16
I2C			
ERR007805	I2C: When the I2C clock speed is configured for 400 kHz, the SCL low period violates the I2C specification	No fix scheduled	18
MMC			
ERR010450	MMC: EMMC can only run under or equal to 150 MHz	No fix scheduled	19
MMDC			
ERR005778	MMDC: DDR Controller’s measure unit may return an incorrect value when operating below 100 MHz	No fix scheduled	20

Table 2. Summary of Silicon Errata (continued)

Errata	Name	Solution	Page
ERR009596	MMDC: ARCR_GUARD bits of MMDC Core AXI Re-ordering Control register (MMDC_MAARCR) does not behave as expected	No fix scheduled	21
ERR010481	MMDC: ZQ calibration issue when interfacing to LPDDR2 memory with two chip selects	No fix scheduled	22
ERR011421	MMDC: DDR I/O glitches on power-up	No fix scheduled	24
ERR050070	MMDC: Hardware Write Leveling Calibration Error bits MMDC_MPWLGCR[WL_HW_ERRn] are incorrectly de-asserted	No fix scheduled	25
OCOTP			
ERR011163	OCOTP: General-purpose fuse banks GP3 and GP4 cannot be programmed	No fix scheduled	26
PXP			
ERR009541	PXP: PXP CSC2 cannot do RGB2YCbCr or RGB2YUV conversion correctly	No fix scheduled	27
System Boot			
ERR010449	System Boot: HAB HAL routine hab_hal_invalidate_cache should invalidate L1/L2 D-cache, but did not in the ROM code	No fix scheduled	28
ERR011121	System Boot: EIM NOR boot failure when the boot image targets at OCRAM	No fix scheduled	29
ERR010739	QuadSPI: Read data errors may occur with data learning in 4x sampling method	No fix scheduled	30
ERR010740	QuadSPI: Insufficient read data may be received in the RX Data Buffer register	No fix scheduled	31
USB			
ERR004535	USB: USB suspend and resume flow clarifications	No fix scheduled	32
ERR006281	USB: Incorrect DP/DN state when only VBUS is applied	No fix scheduled	33
ERR007881	USB: Timeout error in Device mode	No fix scheduled	34
ERR010661	USB: VBUS leakage occurs if USBOTG1 VBUS is on and USBOTG2 VBUS transitions from on to off	No fix scheduled	35
ERR010822	USB: USB host may not respond to RX data	No fix scheduled	36

ERR008958 **Arm/MP: 814220—B-Cache maintenance by set/way operations can execute out of order**

Description:

The v7 Arm states that all cache and branch predictor maintenance operations that do not specify an address execute relative to each other, must occur in program order. However, because of this erratum, a L2 set/way cache maintenance operation can overtake a L1 set/way cache maintenance operation.

Conditions:

For this erratum to have an observable effect, the following conditions must be met.

1. A CPU performs an L1 DCCSW or DCCISW operation.
2. The targeted L1 set/way contains dirty data.
3. Before the next DSB, the same CPU executes an L2 DCCSW or DCCISW operation while the L1 set/way operation is in progress.
4. The targeted L2 set/way is within the group of L2 set/way that the dirty data from L1 can be allocated to.

If the above conditions are met then the L2 set/way operation can take effect before the dirty data from L1 has been written to L2.

NOTE

Conditions (3) and (4) are not likely to be met concurrently when performing set/way operation on the entire L1 and L2 caches. This is because cache maintenance code is likely to iterate through sets and ways in a consistent ascending or descending manner across cache levels, and to perform all operations on one cache level before moving on to the next cache level. This means that, for example, cache maintenance operations on L1 set 0 and L2 set 0 will be separated by cache maintenance operations for all other sets in the L1 cache. This creates a large window for the cache maintenance operations on L1 set 0 to complete.

Projected Impact:

Code that intends to clean dirty data from L1 to L2, and then from L2 to L3 using set/way operations might not behave as expected. The L2 to L3 operation might happen first and result in dirty data remaining in L2 after the L1 to L2 operation has completed.

If dirty data remains in L2 then an external agent, such as a DMA agent, might observe stale data. If the processor is reset or powered-down while dirty data remains in L2 then the dirty data will be lost.

Workarounds:

Correct ordering between set/way cache maintenance operations can be forced by executing a DSB before changing cache levels.

Proposed Solution:

No fix scheduled

Linux BSP Status:

BSP workaround implemented in the Linux BSP GA release

ERR008959 **Arm/MP: 809719—C PMU events 0x07, 0x0C, and 0x0E do not increment correctly**

Description:

The Cortex-A7 MPCore processor implements version 2 of the Performance Monitor Unit architecture (PMUv2). The PMU can gather statistics on the operation of the processor and memory system during runtime. This event information can be used when debugging or profiling code.

The PMU can be programmed to count architecturally executed stores (event 0x07), software changes of the PC (event 0x0C), and procedure returns (event 0x0E). However, because of this erratum, these events do not fully adhere to the descriptions in the PMUv2 architecture.

Conditions:

Either

1. A PMU counter is enabled and programmed to count event 0x07. That is: instruction architecturally executed, condition code check pass, and store.
2. A PLDW instruction is executed. If the above conditions are met, the PMUv2 architecture specifies that the counter for event 0x07 does not increment. However, the counter does increment.

Or

1. A PMU counter is enabled and programmed to count event 0x0C. That is: instruction architecturally executed, condition code check pass, and software change of the PC.
2. An SVC, HVC, or SMC instruction is executed. If the above conditions are met, the PMUv2 architecture specifies that the counter for event 0x0C increments. However, the counter does not increment.

Or

1. One of the following instructions is executed:
 - MOV PC, LR
 - ThumbEE LDMIA R9!, {?, PC}
 - ThumbEE LDR PC, [R9], #offset
 - BX Rm, where Rm != R14
 - LDM SP, {?, PC}

If the above conditions are met, the PMUv2 architecture specifies that the counter for event 0x0E increments for (a), (b), (c) and does not increment for (d) and (e). However, the counter does not increment for (a), (b), (c) and increments for (d) and (e).

Projected Impact:

The information returned by PMU counters that are programmed to count events 0x07, 0x0C, or 0x0E might be misleading when debugging or profiling code is executed on the processor.

Workarounds:

Not available

Proposed Solution:

No fix scheduled

Linux BSP Status:

No software workaround available

ERR008960 Arm/MP: 805420—C PMU event counter 0x14 does not increment correctly**Description:**

The Cortex-A7 MPCore processor implements version 2 of the Performance Monitor Unit architecture (PMUv2). The PMU can gather statistics on the operation of the processor and memory system during runtime. This event information can be used when debugging or profiling code. When a PMU counter is programmed to count L1 instruction cache accesses (event 0x14), the counter should increment on all L1 instruction cache accesses. Because of this erratum, the counter increments on cache hits but not on cache misses.

Conditions:

1. A PMU counter is enabled and programmed to count L1 instruction cache accesses (event 0x14).
2. Cacheable instruction fetches miss in the L1 instruction cache.

When the above conditions are met, the event counter will not increment.

Projected Impact:

A PMU counter that is programmed to count L1 instruction cache accesses will count instruction cache hits but not instruction cache misses.

The information returned can be misleading when debugging or profiling code executed on the processor.

Cache-bound code execution is not affected by this erratum because of the absence of cache misses.

Workarounds:

To obtain a better approximation for the number of L1 instruction cache accesses, enable a second PMU counter and program it to count instruction fetches that cause linefills (event 0x01). Add the value returned by this counter to the value returned by the L1 instruction access counter (event 0x14). The result of the addition is a better indication of the number of L1 instruction cache accesses.

Proposed Solution:

No fix scheduled

Linux BSP Status:

No software workaround available

ERR008961 Arm/MP: 804069—C Exception mask bits are cleared when an exception is taken in Hyp Mode**Description:**

The Cortex-A7 MPCore processor implements the Arm Virtualization Extensions and the Arm Security Extensions.

Exceptions can be routed to Monitor mode by setting SCR.{EA, FIQ, IRQ} to 1. Exceptions can be masked by setting corresponding bit CPSR.{A, I, F} to 1.

The Armv7-A architecture states that an exception taken in Hyp mode does not change the value of the mask bits for exceptions routed to Monitor mode. However, because of this erratum, the corresponding mask bits will be cleared to 0.

Conditions:

1. One or more exception types are routed to Monitor mode by setting one or more of SCR.{EA, FIQ, IRQ} to 1.
2. The corresponding exception types are masked by setting the corresponding CPSR.{A, F, I} bits to 1.
3. Any exception is taken in Hyp mode.

If the above conditions are met then the exception mask bit CPSR.{A, F, I} is cleared to 0 for each exception type that meets conditions (1) and (2). The affected mask bits are cleared together regardless of the exception type in condition (3).

Projected Impact:

If SCR.{AW, FW} is set to 0 then the clearing of corresponding bit CPSR.{A, F} to 0 has no effect. The value of CPSR.{A, F} is ignored.

Otherwise, when CPSR.{A, F, I} is set to 1, secure code cannot rely on CPSR.{A, F, I} remaining set to 1. An exception that should be masked might be routed to Monitor mode.

This is category C as it is expected that users will:

1. Set SCR.{AW, FW} to 0 when SCR.{EA, FIQ} is set to 1.
2. Set SCR.IRQ to 0.

Workarounds:

Not available

Proposed Solution:

No fix scheduled

Linux BSP Status:

No software workaround available

ERR007265 CCM: When improper low-power sequence is used, the SoC enters low power mode before the Arm core executes WFI

Description:

When software tries to enter Low-Power mode with the following sequence, the SoC enters Low-Power mode before the Arm core executes the WFI instruction:

1. Set CCM_CLPCR[1:0] to 2'b00.
2. Arm core enters WFI.
3. Arm core wakes up from an interrupt event, which is masked by GPC or not visible to GPC, such as an interrupt from a local timer.
4. Set CCM_CLPCR[1:0] to 2'b01 or 2'b10.
5. Arm core executes WFI.

Before the last step, the SoC enters WAIT mode if CCM_CLPCR[1:0] is set to 2'b01, or STOP mode if CCM_CLPCR[1:0] is set to 2'b10.

Projected Impact:

This issue can lead to errors ranging from module underrun errors to system hangs, depending on the specific use case.

Workarounds:

Software workaround:

1. Software should trigger IRQ #32 (IOMUX) to be always pending by setting IOMUX_GPR1_GINT.
2. Software should then unmask IRQ #32 in GPC before setting CCM Low-Power mode.
3. Software should mask IRQ #32 right after CCM Low-Power mode is set (set bits 0-1 of CCM_CLPCR).

Proposed Solution:

No fix scheduled

Linux BSP Status:

Software workaround has been implemented in Linux BSP starting in release L4.1.15_2.0.0_ga.

ERR009165 eCSPI: TXFIFO empty flag glitch can cause the current FIFO transfer to be sent twice**Description:**

When using DMA to transfer data to the TXFIFO, if the data is written to the TXFIFO during an active eCSPI data exchange, this can cause a glitch in the TXFIFO empty signal, resulting in the TXFIFO read pointer (TXCNT) not updating correctly, which in turn results in the current transfer getting resent a second time.

Projected Impact:

Incorrect data transfer when using DMA to transfer data to the eCSPI TXFIFO.

Workarounds:

This erratum is only seen when the SMC (Start Mode Control) bit is set. A modified SDMA script with TX_THERSHOLD = 0 and using only the XCH (SPI Exchange) bit to initiate transfers prevents this erratum from occurring. There is an associated performance impact with this workaround. Testing transfers to a SPI-NOR flash showed approximately a 5% drop in write data rates and a 25% drop in read data rates.

Proposed Solution:

No fix scheduled.

Linux BSP Status:

Software workaround implemented in Linux BSP codebase starting in release L3.14.38_6qp_ga.

ERR009606 eCSPI: In master mode, burst lengths of $32n + 1$ will transmit incorrect data**Description:**

When the eCSPI is configured in master mode and the burst length is configured to a value $32n + 1$ (where $n = 0, 1, 2, \dots$), the eCSPI will transmit the portions of the first word in the FIFO twice. For example, if the transmit FIFO is loaded with:

[0] 0x00000001

[1] 0xAAAAAAAA

And the burst length is configured for 33 bits ($\text{ECSPiX_CONREG[BURST_LENGTH]} = 0x020$), the eCSPI will transmit the first bit of word [0] followed by the entire word [0], then transmit the data as expected.

The transmitted sequence in this example will be:

[0] 0x00000001

[1] 0x00000001

[2] 0x00000000

[3] 0xAAAAAAAA

Projected Impact:

Incorrect data transmission.

Workarounds:

Do not use burst length of $32n + 1$ (where $n = 0, 1, 2, \dots$).

Proposed Solution:

No fix scheduled.

Linux BSP Status:

Software workaround not implemented in Linux BSP. Functionality or mode of operation in which the erratum may manifest itself is not used.

ERR009535 eCSPI: Burst completion by SS signal in slave mode is not functional**Description:**

According to the eCSPI specifications, when eCSPI is set to operate in the Slave mode (`CHANNEL_MODE[x] = 0`), the `SS_CTL[x]` bit controls the behavior of burst completion.

In the Slave mode, the `SS_CTL` bit should control the behavior of SPI burst completion as follows:

- 0—SPI burst completed when $(BURST_LENGTH + 1)$ bits are received.
- 1—SPI burst completed when the SS input is negated.

Also, in `BURST_LENGTH` definition, it is stated “In the Slave mode, this field takes effect in SPI transfer only when `SS_CTL` is cleared.”

However, the mode `SS_CTL[x] = 1` is not functional in Slave mode. Currently, `BURST_LENGTH` always defines the burst length.

According to the SPI protocol, negation of SSB always causes completion of the burst. However, due to the above issue, the data is not sampled correctly in `RxFIFO` when $\{BURST_LENGTH + 1\} \bmod 32$ is not equal to $\{\text{actual burst length}\} \bmod 32$.

Therefore, setting the `BURST_LENGTH` parameter to a value greater than the actual burst does not resolve the issue.

Projected Impact:

Slave mode with unspecified burst length cannot be supported due to this issue. The burst length should always be specified with the `BURST_LENGTH` parameter and the `SS_CTL[x]` should be set to zero.

Workarounds:

There is no workaround except for not using the `SS_CTL[x] = 1` option in the Slave mode. The accurate burst length should always be specified using the `BURST_LENGTH` parameter.

Proposed Solution:

No fix scheduled

Linux BSP Status:

Software workaround not implemented in Linux BSP. Functionality or mode of operation in which the erratum may manifest itself is not used.

ERR004446 EIM: AUS mode is nonfunctional for devices larger than 32 MB**Description:**

When the AUS bit is set, the address lines of the EIM are unshifted. By default, the AUS bit is cleared and address lines are shifted according to port size (8, 16 or 32 bits). Due to an error, the address bits 27:24 are shifted when AUS = 1. For example, CPU address 0xBD00_0000 ([A27:20] = 1101 0000) becomes 0xB600_0000 ([A27:20] = 0110 0000) on the EIM bus, because A[27:25] is shifted to [A26:24] and A[23:0] is not shifted. As a result A[24] is missed.

Projected Impact:

If the memory used does not exceed 32 MB, there is no impact.

This mode is related to a unique memory configuration that is not often used. Most systems can work in the default mode (AUS = 0). Board designers should connect the EIM address bus without a shift (For example, A0A0 and A1A1), while working in AUS = 0 mode.

Workarounds:

- Use the AUS = 0 mode (default) while connecting the address signals without a shift (for example, A0A0 and A1A1).
- For AUS = 1, for devices larger than 32 MB, it is necessary to build a memory map that take this shifting into consideration and does not include A[24] line.

Proposed Solution:

No fix scheduled

Linux BSP Status:

Software workaround not implemented in Linux BSP. Functionality or mode of operation in which the erratum may manifest itself is not used.

ERR005829 FlexCAN: FlexCAN does not transmit a message that is enabled to be transmitted in a specific moment during the arbitration process

Description:

FlexCAN does not transmit a message that is enabled to be transmitted in a specific moment during the arbitration process. The following conditions are necessary for the issue to occur:

- Only one message buffer is configured to be transmitted.
- The write which enables the message buffer to be transmitted (write on Control/Status word) happens during a specific clock during the arbitration process.
- After this arbitration process occurs, the bus goes to the Idle state and no new message is received on the bus.

For example:

1. Message buffer 13 is deactivated on RxIntermission (write 0x0 to the CODE field from the Control/Status word) [First write to CODE]
2. Reconfigure the ID and data fields
3. Enable the message buffer 13 to be transmitted on BusIdle (write 0xC on CODE field) [Second write to CODE]
4. CAN bus keeps in Idle state
5. No write on the Control/Status from any message buffer happens.

During the second write to CODE (step 3), the write must happen one clock before the current message buffer 13 to be scanned by arbitration process. In this case, it does not detect the new code (0xC) and no new arbitration is scheduled.

The problem can be detected only if the message traffic ceases and the CAN bus enters into Idle state after the described sequence of events.

There is no issue if any of the conditions below holds:

- Any message buffer (either Tx or Rx) is reconfigured (by writing to its CS field) just after the Intermission field.
- There are other configured message buffers to be transmitted.
- A new incoming message sent by any external node starts just after the Intermission field.

Projected Impact:

FlexCAN does not transmit a message that is enabled to be transmitted in a specific moment.

Workarounds:

To transmit a CAN frame, the CPU must prepare a message buffer for transmission by executing the following standard 5-step procedure:

1. Check if the respective interrupt bit is set and clear it.
2. If the message buffer is active (transmission pending), write the ABORT code (0b1001) to the CODE field of the Control/Status word to request an abortion of the transmission. Wait for the corresponding IFLAG to be asserted by polling the IFLAG register or by the interrupt request

if enabled by the respective IMASK. Then read back the CODE field to check if the transmission was aborted or transmitted. If backwards compatibility is desired (MCR[AEN] bit negated), just write the INACTIVE code (0b1000) to the CODE field to inactivate the message buffer, but then the pending frame might be transmitted without notification.

3. Write the ID word.
4. Write the data bytes.
5. Write the DLC, Control, and CODE fields of the Control/Status word to activate the message buffer.
6. The workaround consists of executing two extra steps:
7. Reserve the first valid mailbox as an inactive mailbox (CODE = 0b1000). If RX FIFO is disabled, this mailbox must be message buffer 0. Otherwise, the first valid mailbox can be found using the “RX FIFO filters” table in the FlexCAN chapter of the chip reference manual.
8. Write twice INACTIVE code (0b1000) into the first valid mailbox.

NOTE

The first mailbox cannot be used for reception or transmission process.

Proposed Solution:

No fix scheduled

Linux BSP Status:

Workaround possible but not implemented in the BSP, impacting functionality as described above.

ERR007805 I2C: When the I2C clock speed is configured for 400 kHz, the SCL low period violates the I2C specification**Description:**

When the I2C module is programmed to operate at the maximum clock speed of 400 kHz (as defined by the I2C spec), the SCL clock low period violates the I2C spec of 1.3 μ s min. The user needs to reduce the clock speed to get the SCL low time to meet the 1.3 μ s I2C minimum required. This behavior means the SoC is not compliant with the I2C spec at 400 kHz.

Projected Impact:

No failures have been observed when operating at 400 kHz. This erratum only represents a violation of the I2C specification for the SCL low period.

Workarounds:

In order to exactly meet the clock low period requirement at fast speed mode, SCL must be configured to 384 kHz or less.

The following clock configuration meets the I2C specification requirements for SCL low for i.MX6 products:

I2C parent clock PERCLK_ROOT = 24M OSC

perclk_podf = 1

PERCLK_ROOT = 24M OSC/perclk_podf = 24 MHz

I2C_IFDR = 0x2A

I2C clock frequency = 24 MHz/64 = 375 kHz

Proposed Solution:

No fix scheduled

Linux BSP Status:

Software workaround not implemented in Linux BSP. Functionality or mode of operation in which the erratum may manifest itself is not used. The BSP configures the I2C frequency to 375 kHz by default.

ERR010450 MMC: EMMC can only run under or equal to 150 MHz**Description:**

EMMC HS200 and SD/SDIO 3.0 SDR104 at 1.8 V can only work below or equal to 150 MHz.
EMMC DDR52 and SD/SDIO DDR50 at 1.8 V can only work below or equal to 45 MHz.

Projected Impact:

EMMC HS200 and SD/SDIO 3.0 SDR104 at 1.8 V interface throughput below or equal to 150 MHz speed.
EMMC DDR52 and SD/SDIO DDR50 at 1.8 V interface throughput below or equal to 45 MHz speed.

Workarounds:

EMMC HS200 and SD/SDIO 3.0 SDR104 at 1.8 V can only run under or equal to 150 MHz.
EMMC DDR52 and SD/SDIO DDR50 at 1.8 V can only run under or equal to 45 MHz.

Proposed Solution:

No fix scheduled

Linux BSP Status:

uSDHC driver in BSP limits the highest clock to 150 MHz for EMMC HS200 and SD/SDIO 3.0 SDR104 at 1.8 V.
uSDHC driver in BSP limits the highest clock to 45 MHz for EMMC DDR52 and SD/SDIO DDR50 at 1.8 V.

ERR005778 MMDC: DDR Controller's measure unit may return an incorrect value when operating below 100 MHz**Description:**

The measure unit counts cycles of an internal ring oscillator. The measure unit readout is used to fine tune the delay lines for temperature/voltage changes for both DDR3 and LPDDR2 interfaces. When operating at low frequencies (below 100 MHz), the measure unit counter might overflow due to an issue in the overflow protection logic. As a result, an incorrect measure value will be read.

Projected Impact:

This might cause a rare issue if the measure unit counter stops within a small range of values that translate to a delay that tunes the system incorrectly. This issue might not manifest in the application because it is dependent on a combination of DDR frequencies coupled with specific process, voltage, and temperature conditions.

Workarounds:

To workaround this issue, following steps should be performed by software:

1. Prior to reducing the DDR frequency (400 MHz), read the measure unit count bits (MU_UNIT_DEL_NUM).
2. Bypass the automatic measure unit when below 100 MHz, by setting the measure unit bypass enable bit (MU_BYP_EN).
3. Double the measure unit count value read in step 1 and program it in the measure unit bypass bit (MU_BYP_VAL) of the MMDC PHY Measure Unit Register, for the reduced frequency operation below 100 MHz.

Software should re-enable the measure unit when operating at the higher frequencies, by clearing the measure unit bypass enable bit (MU_BYP_EN). This code should be executed out of Internal RAM or a non-DDR based external memory.

Proposed Solution:

No fix scheduled

Linux BSP Status:

Software workaround has been implemented in Linux BSP starting in release L4.1.15_2.0.0_ga.

ERR009596 MMDC: ARCR_GUARD bits of MMDC Core AXI Re-ordering Control register (MMDC_MAARCR) does not behave as expected**Description:**

The ARCR_GUARD bits of MMDC Core AXI Re-ordering Control register (MMDC_MAARCR) are used to ensure better DDR utilization while preventing starvation of lower priority transactions. After reordering is performed on previous read/write DDR transactions, the specific outstanding transaction will first obtain the maximum score in “dynamic score mode” and then wait for additional ARCR_GUARD count before achieving the highest priority. Due to a design issue, the ARCR_GUARD counter does not count up to the pre-defined value in the ARCR_GUARD bit field as expected. Therefore, the aging scheme optimizes the transaction reordering only up to the default aging level (15) and assigns a highest priority tag to the outstanding transaction.

Projected Impact:

The aging scheme optimizes the transaction reordering only up to the default aging level (15). No functional issues have been observed with an incorrect setting.

Workarounds:

Software should always program the ARCR_GUARD bits as 4'b0000. That means the accesses which have gained the maximum dynamic score will always become the highest priority after achieving the default highest aging level (15).

Proposed Solution:

No fix scheduled

Linux BSP Status:

Software workaround not implemented in Linux BSP. Functionality or mode of operation in which the erratum may manifest itself is not used. The NXP Linux BSP releases leave the ARCR_GUARD bits at the default value of 4'b0000.

ERR010481 MMDC: ZQ calibration issue when interfacing to LPDDR2 memory with two chip selects

Description:

This issue is relevant to processors using the MMDC DDR controller, when attempting to connect to LPDDR2 memories that are either single channel (x32)/dual die, or two channel (x64)/quad die. When using these memory devices, the drive strengths of the READ DQS and DQ pins coming from the LPDDR2 devices becomes degraded after a short period of time, resulting in corrupted READ operations. The degraded drive strengths that result from the MMDC issuing the ZQ calibration commands to both Chip Selects (CS) of the LPDDR2 occur nearly simultaneously, which causes a shared ZQ calibration resistor to give incorrect results.

- This issue can cause data read by the MMDC DDR controller from the DRAM memory to be corrupted due to the incorrect drive strengths.
- This issue only impacts certain LPDDR2 memory configurations using multiple chip selects and one ZQ resistor. It does not impact devices with a single CS.
- This issue can impact both single channel and dual channel devices if they have two chip selects (ranks).
- This issue does not impact DDR3/DDR3L memories.

Memory vendors connect the ZQ calibration pin for two dies internally to their parts (for higher densities) forcing the two memory dies to share a single calibration resistor. This is allowed by JEDEC standards, with a caveat that the DDR controller never attempts to issue ZQ command requests to the two memory die at the same time for ZQ calibration. The affected MMDC does the calibration in parallel (at the same time) which causes the calibration to be incorrect. The affected MMDC does not support a mode to run the calibrations serially (one after the other).

Please note that having two ZQ resistors connected on the memory is not sufficient because the memory vendor can have them configured such that both CS/multiple dies can still access the same ZQ resistor at the same time (resulting in the degraded drive strength).

Workarounds:

1) Connect the ZQ calibration pin to a fixed supply:

The JEDEC standards for LPDDR2 give the option to remove the ZQ calibration resistor and simply connect the ZQ calibration resistor pin(s) to VDDCA. The JEDEC specification also specifies the allowed drive strengths of the LPDDR2 device must be achieved over the entire operating temperature range. NXP recommends programming the LPDDR2 memory device to the maximum drive strength in conjunction with the connection of the ZQ calibration resistor pin(s) to the VDDCA on the customer board.

2) Use ZQ SW Calibration:

Users can disable the default automatic ZQ calibrations, both long (ZQCL) and short (ZQCS) calibration, and implement a software patch that triggers ZQCL and ZQCS commands to be sent at staggered times to either chip select. This requires the software to momentarily block memory access to the DRAM before issuing a ZQ calibration command. After the command is issued, the

MMDC will prevent data from being passed to/from the LPDDR2 until the required time interval has passed.

3) Use Single CS (RANK) devices:

To completely avoid this issue, customers can use LPDDR2 devices that have a single CS, or are compatible with the MMDC. To achieve higher densities customers can use multiple single-CS (RANK) LPDDR2 devices, however this requires additional board space and routing.

Proposed Solution:

No fix scheduled

Linux BSP Status:

Software workaround option of manually performing ZQ calibration to each CS will be integrated in a future Linux BSP codebase.

ERR011421 MMDC: DDR I/O glitches on power-up**Description:**

During power-up, glitches have been observed on SDCKE and other DDR I/O signals. Glitches on critical DDR I/O may cause issues during DDR initialization. SDCKE specifically must remain low during power-up per the LPDDR2/3 JEDEC specifications. A glitch on SDCKE during power-up can incorrectly move LPDDR2 into a non-idle state and can impact issuing MRW commands to the LPDDR2 memory.

This issue occurs when the DDR I/O power supply (NVDD_DRAM) is powered up before the internal logic supply to the DDR I/Os (VDD_SOC_CAP).

This issue does not impact DDR3.

Workarounds:

Either the hardware workaround or the software workaround below can be used.

Hardware workaround:

Ensure that VDD_SOC_IN is powered on and VDD_SOC_CAP is stable before powering on NVDD_DRAM.

Software Workaround:

During the DDR initialization script, issue a PRECHARGE ALL command prior to issuing any MRW commands. The PRECHARGE ALL command must be issued to both chip selects if two chip selects are used.

An example of the PRECHARGE ALL command in the DDR initialization script is shown below:

```
#####
# Precharge all command per JEDEC:
# The memory controller may optionally issue a Precharge-All command
# prior to the MRW Reset command.
# This is strongly recommended to ensure a robust DRAM initialization
#####
memory set 0x021b001c 32 0x00008010# PRECHARGE ALL command CS0

# If 2 chip selects are used, issue another PRECHARGE ALL to CS1
# memory set 0x021b001c 32 0x00008018 # PRECHARGE ALL command CS1
```

Proposed Solution:

No fix scheduled.

Linux BSP Status:

The DDR Register Programming Aids for all i.MX6 products have been updated to include the software workaround in the initialization script.

ERR050070 **MMDC: Hardware Write Leveling Calibration Error bits
MMDC_MPWLGCR[WL_HW_ERRn] are incorrectly de-asserted****Description:**

During Auto Hardware Write Leveling, the error status bits (MMDC_MPWLGCR[WL_HW_ERRn]) should be set if an error occurs. These bits are set when an error occurs but then are cleared automatically before software can capture the status. Consequently, the error status bits are not a reliable indication whether a hardware write leveling error has occurred.

Workarounds:

If the hardware write leveling was successful, the MMDC PHY Write Leveling HW Error Register (MMDC_MPWLHWERR) will contain non-zero values for each byte lane used. A zero value for an active byte lane indicates that a hardware write leveling error occurred. Software should use MMDC_MPWLHWERR as the error indication instead of MMDC_MPWLGCR.

Proposed Solution:

No fix scheduled.

Linux BSP Status:

This issue is not applicable to the BSP.

ERR011163 OCOTP: General-purpose fuse banks GP3 and GP4 cannot be programmed

Description:

The OCOTP general-purpose fuse banks GP3 and GP4 are locked and cannot be programmed.

Workarounds:

None

Proposed Solution:

No fix scheduled

Linux BSP Status:

No software workaround available

ERR009541 PXP: PXP CSC2 cannot do RGB2YCbCr or RGB2YUV conversion correctly**Description:**

When doing the RGB to YUV conversion, PXP CSC2 design can only output results from 0 to 255, which cannot meet the UV's range requirements, the Y output is correct. For RGB2YCbCr, the coef_d1/d2/d3 has not enough bit width, thus YCbCr value is not correct.

Conditions:

This problem occurs when choosing PXP CSC2 to do RGB2YUV or RGB2YCbCr conversion.

Projected Impact:

PXP output can only be Y8 format when CSC2 is used for RGB2YUV conversion. CSC2 cannot be used for RGB2YCbCr conversion.

Workarounds:

Use SW to do the RGB2YUV or RGB2YCbCr conversion.

Proposed Solution:

No fix scheduled

Linux BSP Status:

BSP uses software to do such conversion.

ERR010449 System Boot: HAB HAL routine hab_hal_invalidate_cache should invalidate L1/L2 D-cache, but did not in the ROM code**Description:**

When authenticating image, DCP write the result HASH value of the boot image into OCRAM, but ROM does not invalidate D-Cache when reading back the HASH. Thus getting wrong value, and finally wrongly ‘think’ the image is invalid.

Conditions:

N/A

Projected Impact:

DCP Hash in ROM/HAB does not work unless MMU/Cache be disabled by fuse or software engine be specified in CSF file instead of DCP engine.

Workarounds:

- Disable MMU/D-Cache using in BootROM by setting Boot_Config “BT_MMU_DISABLE”, or
- Specify engine as “HAB_ENG_SW” instead of “HAB_ENG_DCP” by SCT tool. This will force HAB use the software hash engine.

Proposed Solution:

No fix scheduled

Linux BSP Status:

Software workaround is not implemented in the BSP. For workaround #1, set fuse bit Boot_Config “BT_MMU_DISABLE”. For workaround #2, modify CSF tool by referring to AN4581.

ERR011121 System Boot: EIM NOR boot failure when the boot image targets at OGRAM**Description:**

A boot image corruption can result in a boot failure for an EIM NOR boot devices under specific conditions as described below. The boot failure only occurs if all conditions below are satisfied.

Conditions:

There are four specific conditions that result in this boot failure.

1. i.MX 6ULL silicon revision 1.1
2. An EIM NOR boot device is used
3. The device is a security enabled configuration (SEC_CONFIG[1] eFUSE is programmed)
4. The boot image start address (specified in boot data) targets internal memory on Chip RAM (OGRAM) space

Projected Impact:

EIM NOR boot failure and possible entry into Serial Downloader mode.

Workarounds:

Since the boot failure only occurs when the boot image start address targets OGRAM space, the recommended workarounds are for users to ensure the NOR boot image runs from DDR or executes in place (XIP).

Proposed Solution:

No fix scheduled

Linux BSP Status:

Workaround not implemented in BSP. Functionality where the erratum may manifest itself is not used.

ERR010739 QuadSPI: Read data errors may occur with data learning in 4x sampling method**Description:**

Data learning using 4x sampling method may select a sampling point which is marginal. A marginal sampling point occurs when the sampling point is located on the edge of the valid sampling window. A marginal sampling point may return a positive comparison of the data learning pattern but small variations in voltage and temperature during the same read transaction may result in data errors, because the sampling point is not properly located inside the valid sampling window.

Workarounds:

There are two options:

- Perform data learning using the internal DQS method described in the Reference Manual.
- If 4x sampling method is used, data learning should not be used and a fixed sampling point must be selected.

Proposed Solution:

No fix scheduled.

Linux BSP Status:

No software workaround implemented in the Linux BSP.

ERR010740 QuadSPI: Insufficient read data may be received in the RX Data Buffer register**Description:**

Data read from flash through QuadSPI using Peripheral Bus Interface (IPS) may return insufficient data in the RX Buffer Data register (QuadSPI_RBDRn) when the read data size of a flash transaction is programmed to be greater than 32 bytes.

Workarounds:

For data size greater than 32 bytes, program the IP data transfer size in the IP configuration register (QuadSPI_IPCR[IDATSZ]) to be in multiples of 8 bytes.

Proposed Solution:

No fix scheduled.

Linux BSP Status:

No software workaround implemented in the Linux BSP.

ERR004535 USB: USB suspend and resume flow clarifications**Description:**

In device mode, The PHY can be put into Low Power Suspend when the device is not running or the host has signaled suspend. The PHY Low power suspend bit (PORTSC1.PHCD) will be cleared automatically when the host initials resume. Before forcing a resume from the device, the device controller driver must clear this bit. In host mode, the PHY can be put into Low Power Suspend when the downstream device has been placed into suspend mode (PORTSC1.SUSP) or when no downstream device is connected. Low power suspend is completely under the control of software.

To place the PHY into Low power mode, software needs to set PORTSC1.PHCD bit, set all bits in USBPHY_PWD register and set the USBPHY_CTRL.CLKGATE bit.

When a remote wakeup occurs after the Suspend (SUSP) bit is set while the PHY Low power suspend bit (PHCD) is cleared, a USB interrupt (USBSTS.PCI) will be generated. In this case, the PHCD bit will NOT be set because of the interrupt. However, if a remote wakeup occurs after the PHCD bit is set while the USB PHY Power-Down Register (USBPHY_PWD) and the UTMI clock gate (USBPHY_CTRL.CLKGATE) bit is cleared, a remote wakeup interrupt will be generated. In this case, all the bits in the HW_USBPHY_PWD register and the USBPHY_CTRL.CLKGATE bit will be set, even after the remote wakeup interrupt is generated, which is incorrect.

Projected Impact:

Resume error, if the correct flow is not adhered to.

Workarounds:

To place the USB PHY into low power suspend mode, the following sequence should be performed in an atomic operation (interrupts should be disabled during these three steps):

1. Set the PORTSC1.PHCD bit
2. Set all bits in the USBPHY_PWD register
3. Set the USBPHY_CTRL.CLKGATE bit

Proposed Solution:

No fix scheduled

Linux BSP Status:

Software workaround integrated in Linux BSP codebase starting in release imx_3.0.35_4.1.0.

ERR006281 USB: Incorrect DP/DN state when only VBUS is applied**Description:**

When VBUS is applied without any other supplies, incorrect communication states are possible on the data (DP/DN) signals. If VDDHIGH_IN is supplied, the problem is removed.

Projected Impact:

This issue primarily impacts applications using charger detection to signal power modes to a PMIC in an undercharged battery scenario where the standard USB current allotment is not sufficient to boot the system.

Workarounds:

Apply VDDHIGH_IN if battery charge detection is needed. Otherwise, disable charger detection by setting the EN_B bit in USB_ANALOG_USBx_CHRG_DETECTn to 1.

Proposed Solution:

No fix scheduled

Linux BSP Status:

Software workaround not implemented in Linux BSP. Functionality or mode of operation in which the erratum may manifest itself is not used.

ERR007881 USB: Timeout error in Device mode**Description:**

If a receive FIFO overrun occurs (due to a busy condition on the system bus) when the USB controller is in Device mode, the controller may stop responding to host tokens, causing current transactions to time out. This situation can be recovered after FIFO is not overrun.

Projected Impact:

Implementing the workaround prevents receiving FIFO overruns, but cause a 10% - 30% impact to USB performance.

Workarounds:

Set Stream Disable mode (`USB_nUSBMODE[SDIS] = 1`) to prevent receiving FIFO overruns.

Proposed Solution:

No fix scheduled

Linux BSP Status:

Software workaround implemented in Linux BSP codebase starting in L3.10.53_1.1.0_ga.

ERR010661 USB: VBUS leakage occurs if USBOTG1 VBUS is on and USBOTG2 VBUS transitions from on to off**Description:**

When two USB ports work as OTG or device simultaneously. One VBUS (selected by PMU_REG_3P0.vbus_sel bit) voltage will not drop after cable unplug, causing the port to fail to detect the cable detach. If these two ports do not need to support detach detection, simultaneously using two OTGs or devices can be supported.

Conditions:

When two USB ports work as OTGs or devices simultaneously.

Projected Impact:

Do not use two OTGs or devices simultaneously. Only four scenarios are supported:

- One for OTG/Device, another for Host.
- One for OTG/Device, another is un-used.
- One for Host, another for Host.
- One for Host, another is un-used.

Workarounds:

Only one port can be used as OTG or device. The other port must be used as host. Set the PMU_REG_3P0.vbus_sel bit to select the host port.

Proposed Solution:

No fix scheduled

Linux BSP Status:

No software workaround available

ERR010822 USB: USB host may not respond to RX data**Description:**

Under rare conditions, the USB controller operating in host mode may fail to respond to an incoming packet from a device when two or more hubs are between the USB host and device. This configuration causes extra bits in the data stream after the EOP. The issue does not occur without a hub connection because there are no additional bits after EOP.

The issue occurs under the following conditions:

1. The TX clock from the device is faster than the RX clock at the host, and
2. Extra bits are present in the received data stream after EOP.

When the issue occurs, the USB controller will not respond to the current RX packet (neither ACK nor NAK) and the packet is discarded. For a non-ISO transfer, the TX side should resend the packet (per the USB specification requirements). For an ISO transfer, the packet will be lost.

Condition 1) above can cause occurrences where the USB controller will see two bit transitions within one 480 MHz cycle. The USB specification requires clock accuracy of 500 ppm, so the maximum difference between the TX and RX sides is 1000 ppm, or 1/1000 bits. The issue is rare since two bit transitions within one clock cycle must also coincide with the EOP. The occurrence of the issue is further reduced with shorter packet lengths, but there is no known maximum packet length that avoids the issue entirely.

When this issue happens, a `UTMI_RXERROR` is generated.

Workarounds:

For a non-ISO transfer, the device will retransmit the packet per the USB specification requirements so the system can handle this case automatically.

For a non-ISO transfer, the host will discard the packet and the data is lost. There is no known software workaround for this case.

Proposed Solution:

No fix scheduled.

Linux BSP Status:

No software workaround implemented in the Linux BSP.



How to Reach Us:

Home Page:

nxp.com

Web Support:

nxp.com/support

Information in this document is provided solely to enable system and software implementers to use NXP products. There are no express or implied copyright licenses granted hereunder to design or fabricate any integrated circuits based on the information in this document. NXP reserves the right to make changes without further notice to any products herein.

NXP makes no warranty, representation, or guarantee regarding the suitability of its products for any particular purpose, nor does NXP assume any liability arising out of the application or use of any product or circuit, and specifically disclaims any and all liability, including without limitation consequential or incidental damages. "Typical" parameters that may be provided in NXP data sheets and/or specifications can and do vary in different applications, and actual performance may vary over time. All operating parameters, including "typicals," must be validated for each customer application by customer's technical experts. NXP does not convey any license under its patent rights nor the rights of others. NXP sells products pursuant to standard terms and conditions of sale, which can be found at the following address:

nxp.com/SalesTermsandConditions.

While NXP has implemented advanced security features, all products may be subject to unidentified vulnerabilities. Customers are responsible for the design and operation of their applications and products to reduce the effect of these vulnerabilities on customer's applications and products, and NXP accepts no liability for any vulnerability that is discovered. Customers should implement appropriate design and operating safeguards to minimize the risks associated with their applications and products.

NXP, the NXP logo, NXP SECURE CONNECTIONS FOR A SMARTER WORLD, COOLFLUX, EMBRACE, GREENCHIP, HITAG, I2C BUS, ICODE, JCOP, LIFE VIBES, MIFARE, MIFARE CLASSIC, MIFARE DESFire, MIFARE PLUS, MIFARE FLEX, MANTIS, MIFARE ULTRALIGHT, MIFARE4MOBILE, MIGLO, NTAG, ROADLINK, SMARTLX, SMARTMX, STARPLUG, TOPFET, TRENCHMOS, UCODE, Freescale, the Freescale logo, Altivec, C-5, CodeTEST, CodeWarrior, ColdFire, ColdFire+, C-Ware, the Energy Efficient Solutions logo, Kinetis, Layerscape, MagniV, mobileGT, PEG, PowerQUICC, Processor Expert, QorIQ, QorIQ Qonverge, Ready Play, SafeAssure, the SafeAssure logo, StarCore, Symphony, VortiQa, Vybrid, Airfast, BeeKit, BeeStack, CoreNet, Flexis, MXC, Platform in a Package, QUICC Engine, SMARTMOS, Tower, TurboLink, and UMEMS are trademarks of NXP B.V. All other product or service names are the property of their respective owners. Arm, AMBA, Artisan, Cortex, Jazelle, Keil, SecurCore, Thumb, TrustZone, and μ Vision are registered trademarks of Arm Limited (or its subsidiaries) in the EU and/or elsewhere. Arm7, Arm9, Arm11, big.LITTLE, CoreLink, CoreSight, DesignStart, Mali, Mbed, NEON, POP, Sensinode, Socrates, ULINK and Versatile are trademarks of Arm Limited (or its subsidiaries) in the EU and/or elsewhere. All rights reserved. Oracle and Java are registered trademarks of Oracle and/or its affiliates. The Power Architecture and Power.org word marks and the Power and Power.org logos and related marks are trademarks and service marks licensed by Power.org.

© 2016-2019 NXP B.V.

Document Number: IMX6ULLCE
Rev. 2
10/2019

