

Variable Speed DC Fan Control using the MC9RS08KA2

Designer Reference Manual

RS08
Microcontrollers

DRM079
Rev. 0
5/2006

freescale.com

Variable Speed DC Fan Control using the MC9RS08KA2

Designer Reference Manual

by: Vincent Ko
 Freescale Semiconductor, Inc.
 Hong Kong

To provide the most up-to-date information, the revision of our documents on the World Wide Web will be the most current. Your printed copy may be an earlier revision. To verify that you have the latest information available, refer to <http://www.freescale.com>

The following revision history table summarizes changes contained in this document. For your convenience, the page number designators have been linked to the appropriate location.

Revision History

Date	Revision Level	Description	Page Number(s)
05/2006	0	Initial release	N/A

Table of Contents

Chapter 1 Introduction

1.1	Introduction	7
1.2	Freescale's New Generation Ultra Low Cost MCU	8
1.3	DC Fan Reference Design Targets	8
1.4	Bi-Phase BLDC Motor	9

Chapter 2 Motor Control

2.1	Commutation	11
2.2	Rotor Position Control	11
2.3	Commutation Waveforms	12
2.4	Speed Control	12
2.5	Motor Startup	13
2.6	Fault Detection	13

Chapter 3 Implementation

3.1	Block Diagram	15
3.2	Hardware Resources	15
3.3	Control Loop	16
3.4	Temperature Sensor Measurement	18
3.4.1	Temperature Conversion	20

Appendix A. Schematic

Appendix B. Program Listing

Chapter 1

Introduction

1.1 Introduction

This document describes the implementation of a DC brushless fan controller using the Freescale ultra low cost MC9RS08KA2 8-bit microcontroller (MCU). The design contains a temperature sensor the MCU reads with control on fan speed against the ambient temperature. Complete coding and schematic are included.

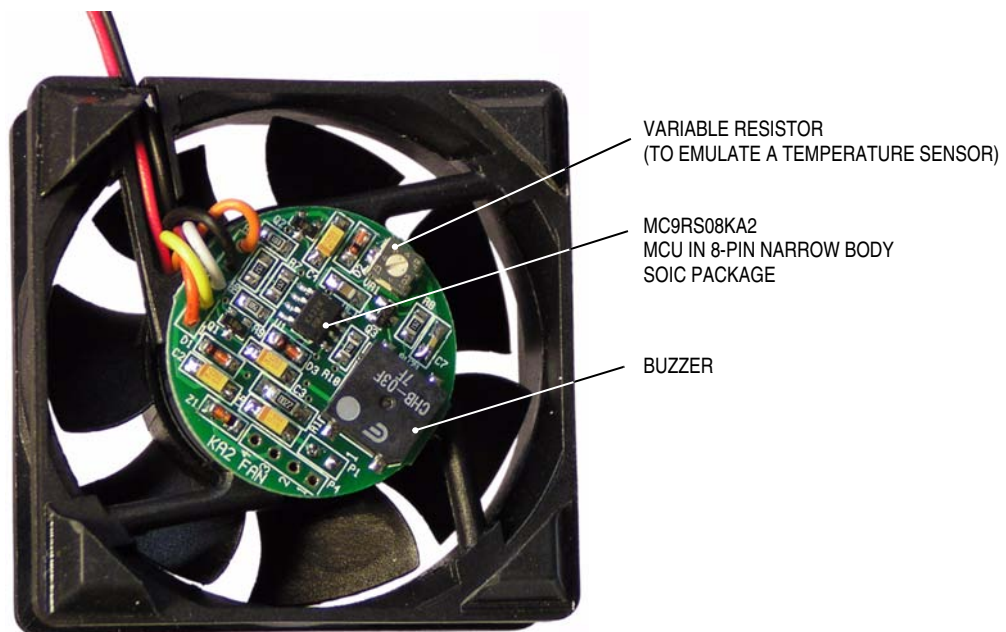


Figure 1-1. The MC9RS08KA2 DC Fan Reference Design

The DC fan used is a brushless DC motor fan. It is widely used in chip cooling or system ventilation applications. In the market, most of the DC fans are of the constant air flow design. As the high performance electronic products continue to increase, cooling requirement becomes more and more sophisticated. MCU approach provides a cost effective solution to this application. There are several advantages of a MCU based design over traditional solutions.

1. Instead of having a constant air flow the MCU provides enough processing power to modify the fan speed according to environment changes such as the temperature of the target system.
2. Fault detection can easily be implemented by the MCU. For example, the MCU can detect for the air flow blocking or motor jam, the motor driver can be stopped completely to avoid further damage.
3. Buzzer alarm or digital output acknowledgement can be generated under the faulty situation.

The MCU chosen for this purpose must be low cost and it must provide small geometry package to integrate into the fan controller printed circuit board (PCB). The MC9RS08KA2 is ideal for this application.

1.2 Freescale’s New Generation Ultra Low Cost MCU

The MC9RS08KA2 microcontroller unit (MCU) is an extremely low cost, small pin count device for home appliances, toys, and small geometry applications, such as a DC fan controller. This device is composed of standard on-chip modules including a very small and highly efficient RS08 CPU core, 62 bytes RAM, 2K bytes FLASH, an 8-bit modulo timer, keyboard interrupt, and analog comparator. The device is available in small 6- and 8-pin packages.

Features of the MC9RS08KA2 include:

- 8-bit RS08 core
 - Up to 10 MHz (bus frequency) at 1.8V for 100 ns minimum instruction time
 - RS08 instruction set
 - Supports tiny/short address mode
 - 14-byte fast-access RAM
 - Allows emulation of HC08/HCS08 zero-offset index addressing mode instructions
- Third-generation Flash and RAM (extremely fast, byte writable programming)
 - 63 Byte RAM
 - 2K Byte Flash
- Flexible clock options
- 4 Bidirectional I/O lines with software selectable pull-up (eliminates need for external resistors)
- Analog comparator
- Real time interrupt
- 8-bit timer with 8-bit prescale
- System protection
 - Resets in instance of runaways or corrupted code
 - Low voltage detection
 - Illegal opcode and illegal address detection
 - Flash security feature
- Single wire debugging and emulation interface; eliminates need for expensive emulation tools or development hardware

1.3 DC Fan Reference Design Targets

Table 1-1. Design Targets

Item	Requirement
Motor Type	Bi-phase BLDC motor
Fan Dimensions	60mm x 60mm x 25mm
Operating Voltage	12V
Current Rating	0.18A (max.)
Speed	1000 to 4000 RPM
Temperature Feedback	Yes
Fault Detection	Air flow blocking (motor jam)
Fault Notification	Buzzer alarm

1.4 Bi-Phase BLDC Motor

The brushless DC motor (BLDC) design for DC fan is commonly consist of a permanent magnet attached on the rotor and the stator phase coil windings are mounted on the motor shaft as illustrated in [Figure 1-2](#). The BLDC has no brushes on the rotor and the commutation is performed electronically at certain rotor positions.

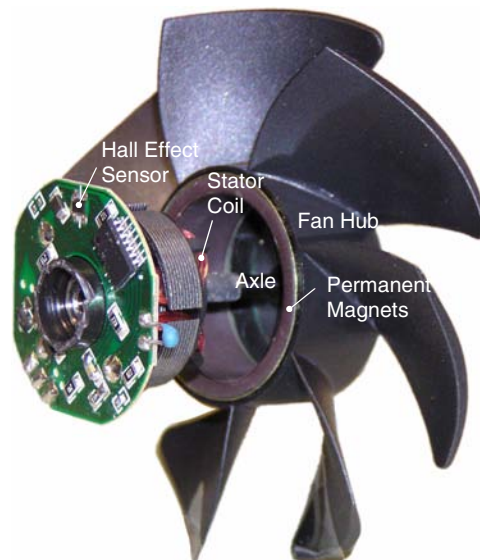


Figure 1-2. Bi-Phase BLDC Motor Diagram

Chapter 2 Motor Control

2.1 Commutation

The typical bi-phase BLDC has one pole-pair per phase. Each commutation rotates the rotor by 90 degrees and four commutation steps complete a mechanical revolution. Each pole-pair is implemented by two coils, with four coils in total for a bi-phase motor. Energizing a pair of coils, either coil A & C or coil B & D as shown in [Figure 2-1](#), induces magnetic fields that push the equal polarity rotor magnets away from the energized coils and at the same time the opposite polarity rotor magnets are pulled toward the coils. Rotation starts and this is called a commutation step. When the rotor magnetic pole is aligned with the energized coils, the coils are deactivated and the previously un-energized pair of coils are then energized. As the magnetic field switches to the next motor position or pole, the inertia of the rotor keeps the motor running. As a result, two commutation steps moves the rotor by 180 degrees or one motor phase. One mechanical revolution is contributed by four commutation steps.

To avoid conflict to the magnetic field, adjacent coils cannot be energized at the same time. Dead-time, where all coils are un-energized must be added between each commutation step.

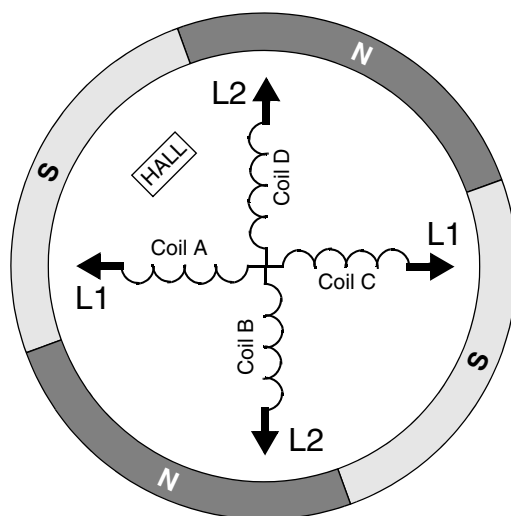


Figure 2-1. Bi-phase BLDC Motor Schematic

2.2 Rotor Position Control

The key idea to prevent a motor lockup concerns rotor position detection. The time to switch the commutation is critical. Energizing coil-pair for too long will kill the rotor inertia and the motor stops running. This is called motor lockup. Switching the commutation too soon will lose control to the rotor and eventually stall the motor. The rotor position in this design is determined by a hall sensor which will respond to the change in magnetic field. Hall sensor output toggles when the magnetic field changes its polarity. Positioning the hall sensor between the coils at 45 degree to the stator coils, as shown in [Figure 2-1](#), can effectively detect the rotor position. In this case the hall sensor output toggles when the rotor magnets is aligned to the coils. Commutation should switch at this time from one coil-pair to the next coil-pair.

2.3 Commutation Waveforms

In general, in a bi-phase motor design, alternate coils are tied together and give a single connection to the driver. In this design, the driver connection for coil A and coil C is called L1 (see Figure 2-1). Similarly, the driver connection for coil B and coil D is called L2. Driving to either of the connections will energize a coil-pair. The commutation waveform is shown in Figure 2-2. The coil driving period is aligned with the Hall sensor output. When the sensor output toggles, coil driving is stopped, the coils are de-energized for a period of time before the next coil-pair is energized.

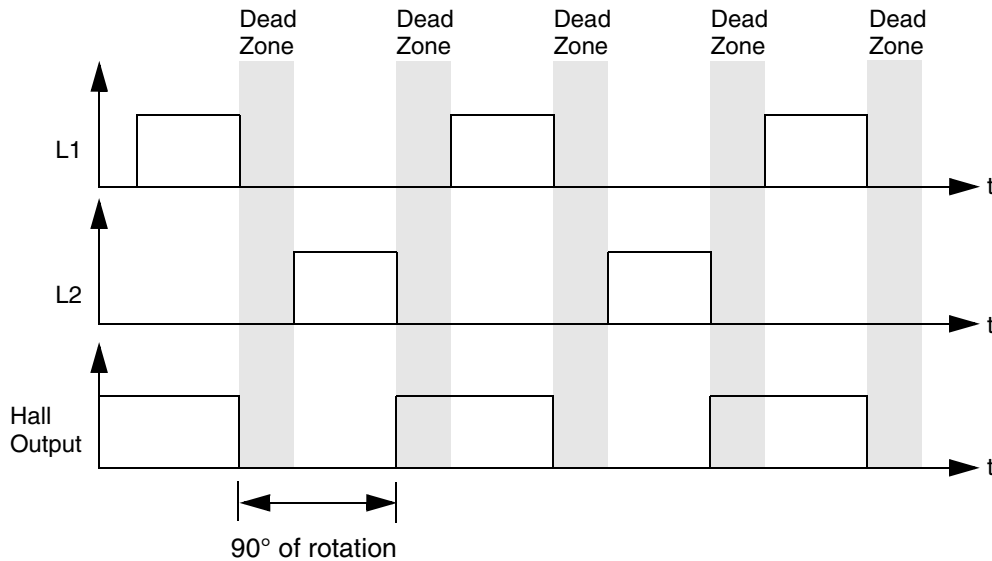


Figure 2-2. Bi-Phase BLDC Motor Commutation Waveform

2.4 Speed Control

Motor speed is normally defined as the mechanical revolution per one minute of time (rpm). In electrical terms, one commutation contributes to 90 degrees of a revolution. Thus, control the time taken per commutation can effectively control the overall speed. One commutation step includes a dead-time (where the coils are not energized) and the coils energization time. The whole commutation period could be considered as a pulse width modulation (PWM) output cycle. The PWM period defines the motor speed in this case. The coils energization time is, in fact, the PWM driving period which is defined by the time that the coils are energized until the Hall sensor is toggled. The Hall sensor output indicates the position of the rotor and defines the time to switch to the next commutation step.

In this design the motor speed or the PWM period is continuously monitored. It is a closed-loop control design. If the motor speed is faster (PWM period is shorter) than the target value, the dead-time duration is extended until the target PWM period is reached. Similarly, when the motor speed is slower than the target value, the dead-time duration is shortened.

The rotor starts off at the slowest speed. Shortening the dead-time causes the coils to energize earlier and the rotor is pushed/pulled to the next pole position sooner, causing motor speed to increase. Similarly, when the dead-time is extended the rotor hangs loose for a longer time before it is pushed/pulled to the next pole position. As a result the motor speed decreases. The target motor speed against temperature is predefined. It is updated periodically based on the information from the temperature sensor.

Dramatic changes in the dead-time value will cause the motor to stall. In this design a software loop in the MCU will control the dead-time variation. Even with the dramatic change in the temperature sensor reading, the software loop will only allow the dead-time to change to the new value gradually.

2.5 Motor Startup

In this DC fan application, it is desirable to only allow the motor to operate in an uni-direction, such that the airflow to the target system will always be in one direction. With the bi-phase motor design it is difficult to guarantee the direction of rotation. Commutation order or the coil energizing sequence happens to be the same for both directions of rotation. The rotor position or axis must initially be known in order to guarantee the direction of rotation. When the first commutation step is activated where the adjacent coil-pair to the initial axis is energized, the rotor starts to move. Since the adjacent coil-pairs are connected together and energized at the same time, there are equal pulling/pushing force induced on the rotor in both directions. There is chance for the rotor to startup in either direction. It is necessary to monitor the initial direction of rotation. If the direction is not correct, the motor must be locked back to the startup axis again and the commutation step repeated. The direction of rotation can be detected by the Hall sensor output. If the initial rotor axis is known, the output edge polarity, rising edge or falling edge, determines the direction of rotation.

In the modern bi-phase motor design the direction of rotation is normally defined by the manufacturer. The stator design is not symmetric such that the motor will have a high tendency to rotate in one direction than the other. However, the direction of rotation cannot be guaranteed without proper monitoring techniques in place.

2.6 Fault Detection

Motor fault is identified as the rotor not moving, which is normally the case when the rotor is jammed (may be cause by blocked airflow). During each commutation step, the Hall sensor output is monitored. If it is not toggled within a defined duration, commutation sequence is terminated, all coils are de-energized. In this design, when a motor fault occurs, a buzzer is activated as the alarm.

Chapter 3 Implementation

3.1 Block Diagram

The block diagram of the DC fan design is illustrated in [Figure 3-1](#). A 12V low cost bi-phase BLDC motor is used in this application. The MCU performs alternate outputs to the two NPN transistors that drive the motor coils. Open drain output Hall sensor is required and positioned close the rotor. The device responds to magnetic field changes during the motor operation, digitizing output feedback of the rotor position to the MCU for close loop motor control and fault detection. Ambient temperature information is measured from an external temperature sensor. In the faulty situation, such as motor jam, the buzzer alarm is driven by the MCU through a pulse width modulated (PWM) output.

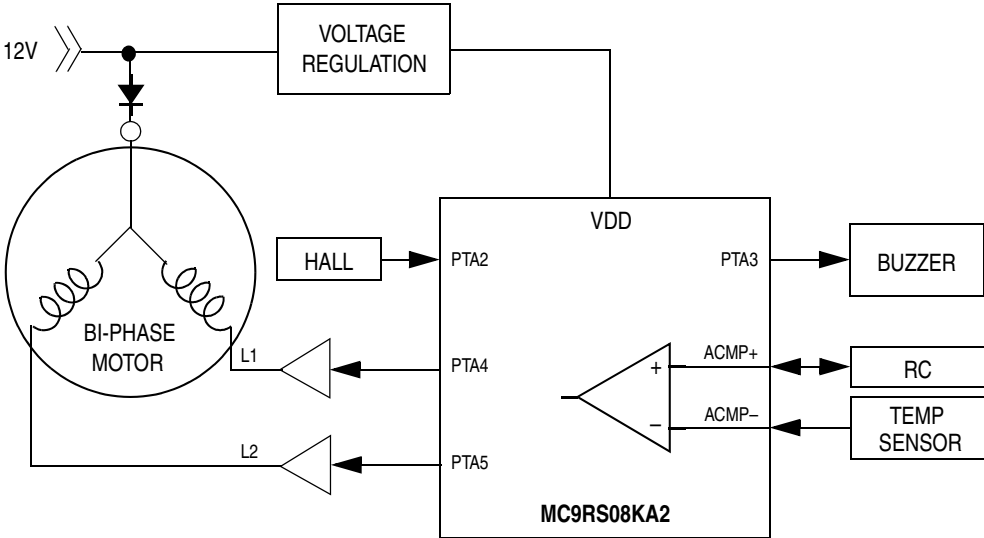


Figure 3-1. DC Fan Design Block Diagram

3.2 Hardware Resources

In this application, the low cost MC9RS08KA2 MCU is used. The device has a built-in 8-bit modulo timer which is used to control the timing for the PWM drive. Bus frequency is chosen to be 4MHz. The design target for the maximum motor speed is 4000 rpm, the timer must have enough resolution to measure the shortest PWM period that is less the 3.75ms per commutation step. Timer prescalar is selected as 256 and the timer resolution becomes 64µs.

Table 3-1. Hardware Configuration

Bus Frequency	4MHz
Timer Clock for motor speed monitoring	4MHz/256 = 16kHz
Timer Resolution	64µs

Implementation

Hall sensor output is connected to the MCU's GPIO port, PTA2, which has a programmable edge trigger keyboard interrupt (KBI). The programmable edge trigger feature provides an effective way to monitor the Hall sensor signal. As mentioned in the previous section, the direction of rotation can be detected by the polarity of the Hall sensor output edge. Monitoring the signal edge is achieved by altering the KBI edge trigger polarity for each commutation step.

Ambient temperature reading is taken from a temperature sensor which is equivalent to a diode. Temperature variation alters the diode channel current as well as the effective channel resistance. The temperature sensor is combined with a 7.5k Ω resistor in a potential divider arrangement. The built-in analog comparator is used to compare the temperature sensor ladder voltage with an defined RC network to deduce the absolute temperature.

As described in the previous section, the motor speed is controlled by varying the absolute dead-time. This is updated every 128ms in the application. As in all RS08/S08 devices, the MC9RS08KA2 MCU has a programmable real time interrupt (RTI) feature. In this case, it is used to notify the MCU to refresh the target PWM period every 128ms.

3.3 Control Loop

Figure 3-2 shows the firmware control loop flow chart. The KBI or Hall sensor output is continuously monitored for trigger signals within a defined time. A motor fault condition occurs when there are no trigger signal, and the firmware goes into a forever loop. Commutation is stopped and the buzzer is alarmed.

The target PWM period based on the temperature sensor reading is updated every 128ms. And on each 180 degrees rotation of the rotor (two commutation steps) the actual PWM period is compared with the target PWM period. If they are different, the absolute dead-time will be altered, and the actual PWM period will gradually change towards the target PWM period.

On each commutation step, reading of the temperature sensor contributes a delay to the actual dead-time duration. This delay is deterministic such that the software control loop can easily deduce the actual speed of the motor. Hence, this delay can be considered as a part of the total dead-time delay for each commutation.

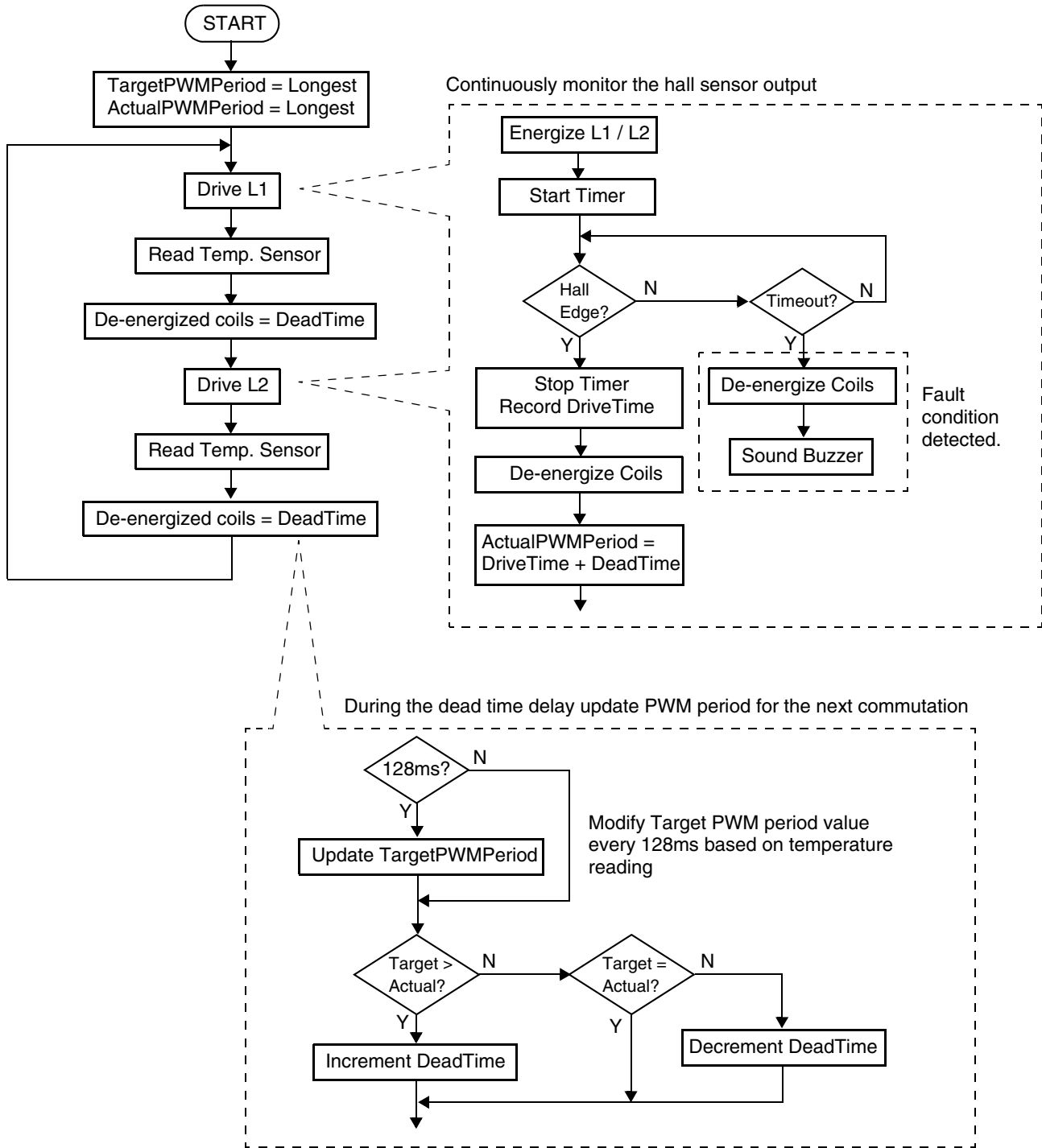


Figure 3-2. Firmware Control Loop

3.4 Temperature Sensor Measurement

The temperature sensor measurement is performed based on the methodology of an emulated ADC described in the application note, AN3266 “Getting Started with RS08”.

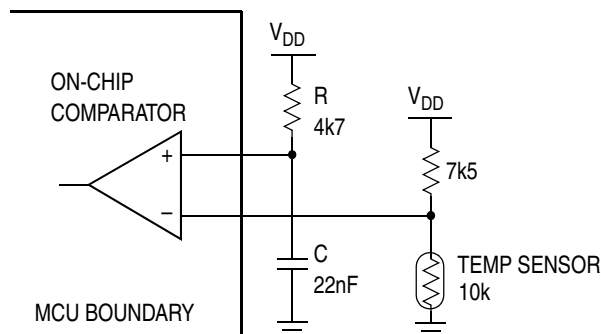


Figure 3-3. Emulated ADC Schematic

The schematic of the emulated ADC in this application is shown in [Figure 3-3](#). The ADC input is the temperature sensor resistor ladder. When the comparator is not measuring, the capacitor, C, is fully discharged where the positive terminal of the comparator is pulling low. When the temperature sensor measurement is required, the comparator is then enabled and the terminal turns to analog input, voltage across C starts to ramp up. The 8-bit internal modulo timer is used to monitor the time taken for the RC to charge to a level that matches the voltage across the temperature sensor. The timer counter value is captured and used as the basis for the emulated ADC conversion.

With a 10kΩ temperature sensor and 7.5kΩ pullup resistor the ADC absolute dynamic range is from 0V to about $0.57 \times V_{DD}$, i.e. about 2.85V. Timer clock is chosen to be eight times slower than the bus clock, the timer resolution becomes 2μs. The RC charging profile follows [EQ 3-1](#). Given the RC constant is $4K7\Omega \times 22nF$ the timer counter value against the temperature sensor reading with 5V V_{DD} is shown in [Table 3-2](#).

$$V = V_{DD} \left(1 - e^{-\frac{t}{RC}} \right) \tag{EQ 3-1}$$

Table 3-2. RC Charging Profile Against Timer Count

Time (μ s)	Voltage across the Temperature Sensor (V)	ADC Readout (Timer Count)
0	0	0
2	0.10	1
4	0.19	2
6	0.28	3
and so on...		
86	2.82	43
88	2.87	44
90	2.91	45
and so on...		
126	3.52	63

Table 3-2 shows the entire dynamic range of the temperature sensor voltage can be covered by about 44 timer counts. For convenience, the timer overflow period is set to 63, which is identical to the size of the paging window (\$00C0 to \$00FF) in the MC9RS08KA2. The timer value captured can be used directly as an index to the paging window for the target PWM period value lookup.

The code below shows how the timer value is captured using RS08 instructions.

```

ReadSensor:
    mov     #(MTIM_BUS_CLK|MTIM_DIV_8), MTIMCLK; Change Timer resolution
    mov     #63, MTIMMOD                ; OF period
    mov     #(mMTIMSC_TRST|mMTIMSC_TOIE), MTIMSC; Reset and Start Timer

    mov     #(mACMPSC_ACME|mACMPSC_ACIE|ACMP_OUTPUT_RAISING), ACMPSC
                                                ; Enable ACMP, start RC rise
    bset    ACMPSC_ACF, ACMPSC          ; Clear ACMP Flag
    wait
    brclr   ACMPSC_ACF, ACMPSC, NoReading
    mov     MTIMCNT, SensorReading      ; Capture timer count
    bset    ACMPSC_ACF, ACMPSC          ; Clear ACMP Flag
    clr     ACMPSC                       ; disable ACMP
    wait                                       ; delay to OF and make the
                                                ; read process deterministic
    mov     #(mMTIMSC_TSTP|mMTIMSC_TRST), MTIMSC; mask interrupt and clear
                                                ; flag
    mov     #(MTIM_BUS_CLK|MTIM_DIV_256), MTIMCLK; Reset Timer resolution
    rts

NoReading:
    mov     #$00, SensorReading          ; Smallest Number
    clr     ACMPSC                       ; disable ACMP
    mov     #(mMTIMSC_TSTP|mMTIMSC_TRST), MTIMSC ; mask interrupt and clear
                                                ; flag
    mov     #(MTIM_BUS_CLK|MTIM_DIV_256), MTIMCLK; Reset Timer resolution
    rts
    
```

Implementation

As described in the previous section the overall dead-time duration should be deterministic, the double WAIT statements in the subroutine can ensure the execution time to be mostly constant. When the MCU is woken up from the first WAIT (which is normally triggered by the comparator), the timer counter value is captured and the MCU is then returned to WAIT mode until the timer is overflowed. The subroutine execution time would be equivalent to the timer overflow period (~128μs) plus some software overhead.

3.4.1 Temperature Conversion

In general, the channel resistance of the temperature sensor reduces as the temperature increases. The corresponding channel resistance against temperature can usually be retrieved from the sensor data sheet. For this application the operating temperature range is defined from 25°C to 100°C. When the ambient temperature is 100°C or above the motor is at maximum speed. The speed drops as the temperature decreases in 5°C steps. Given the sensor channel resistance values the voltage across the sensor can be calculated. The corresponding motor speed for a specific temperature range are also defined and shown in [Table 3-3](#).

[EQ 3-2](#) shows how the target PWM period value is calculated. The target value is compared with the measured PWM period every 180 degrees of rotation. The ADC readout delay is considered as constant, therefore, it is omitted from the motor speed measurement and should be deducted from the target period calculation, too.

$$\text{TargetPWMPeriod} = \frac{\frac{60/\text{RPM}}{4} - \text{ADCDelay}}{\text{TimerResolution}} \quad (\text{EQ 3-2})$$

The timer resolution used in the application is 64μs, the ADC readout time contributes a constant delay to the overall PWM period, which is ~128μs in this application. The target PWM period used for motor speed control is shown in [Table 3-3](#). The table is stored in the upper memory (FLASH). In RS08 architecture upper memory access is done through the paging window (address \$00C0 to \$00FF) where the PAGESEL register is defining the page to be accessed. Simple table lookup method which uses the captured timer value from the temperature sensor readout as an index in the paging window for the target PWM period conversion.

For software implementation, the target motor speed must be deduced in terms of timer counts, where it is used as the target PWM period per commutation. By using [Table 3-2](#) and [Table 3-3](#), a look-up table can be constructed where the ADC readout value is used as an index to retrieve the target PWM period for a specific temperature range.

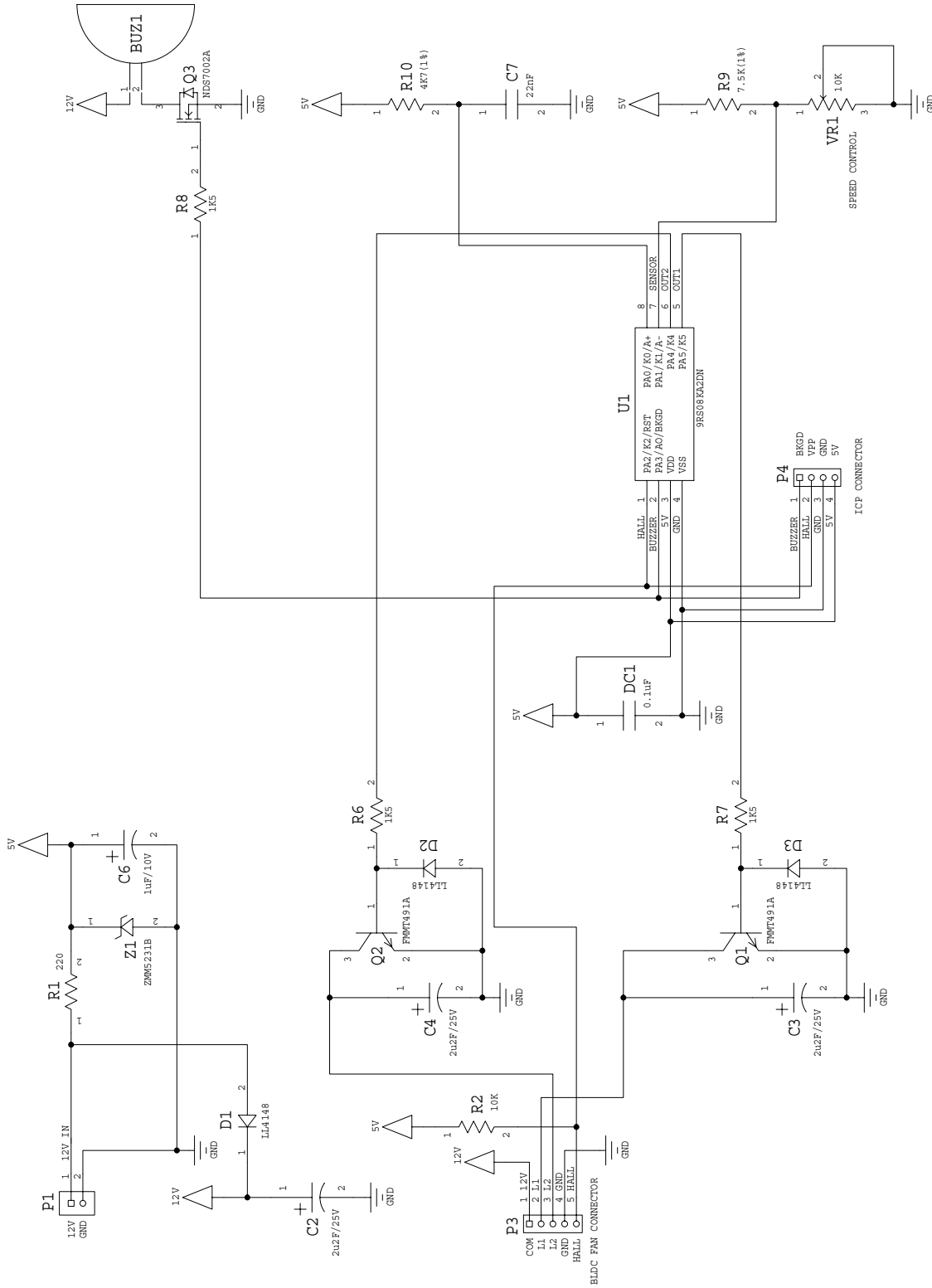
Table 3-3. Temperature Conversion Table

Temperature (°C)	Channel Resistance (kΩ) (from sensor data sheet)	Voltage across Sensor (V)	Predefined Motor Speed (rpm)	Target PWM Period (Timer Counts ⁽¹⁾)
25 or below	10	2.86	1000	232
30 – 34	8.082	2.59	1200	193
35 – 39	6.577	2.34	1400	165
40 – 44	5.387	2.09	1600	144
45 – 49	4.441	1.86	1800	128
50 – 54	3.683	1.65	2000	115
55 – 59	3.024	1.44	2200	105
60 – 64	2.53	1.26	2400	96
65 – 69	2.128	1.11	2600	88
70 – 74	1.799	0.97	2800	82
75 – 79	1.528	0.85	3000	76
80 – 84	1.304	0.74	3200	71
85 – 89	1.118	0.65	3400	67
90 – 94	0.962	0.57	3600	63
95 – 99	0.831	0.50	3800	60
100 or above	0.698	0.43	4000	57

NOTES:

1. The resolution of a timer count is 64μs.

Appendix A. Schematic



Variable Speed DC Fan Control using the MC9RS08KA2, Rev. 0

Appendix B. Program Listing

```

;*****
;
; (c) copyright Freescale Semiconductor. 2006
; ALL RIGHTS RESERVED
;
;*****
;*****
;* DC Fan Coding for 9RS08KA2
;*
;* Author:      Vincent Ko
;* Date:       Jan 2006
;*
;* PTA0/KBI0/ACMP+          RC input
;* PTA1/KBI1/ACMP-          Temp sensor input
;* PTA2/KBI2/TCLK/RESETb/VPP Hall input
;* PTA3/ACMPO/BKGD/MS       Buzzer
;* PTA4/KBI4                PWM+
;* PTA5/KBI5                PWM-
;*
;*****
; include derivative specific macros
;         XDEF      Entry

;         include "MC9RS08KA2.inc"

;=====
; ICS Definition
;=====
ICS_DIV_1      equ$00
ICS_DIV_2      equ$40
ICS_DIV_4      equ$80
ICS_DIV_8      equ$c0

;=====
; MTIM Definition
;=====
MTIM_DIV_1     equ      $00
MTIM_DIV_2     equ      $01
MTIM_DIV_4     equ      $02
MTIM_DIV_8     equ      $03
MTIM_DIV_16    equ      $04
MTIM_DIV_32    equ      $05
MTIM_DIV_64    equ      $06
MTIM_DIV_128   equ      $07
MTIM_DIV_256   equ      $08

MTIM_BUS_CLK   equ      $00
MTIM_XCLK      equ      $10

```

Implementation

```

MTIM_TCLK_FALLING      equ    $20
MTIM_TCLK_RISING      equ    $30

;=====
; ACMP Definition
;=====
ACMP_OUTPUT_FALLING   equ    $00
ACMP_OUTPUT_RAISING   equ    $01
ACMP_OUTPUT_BOTH      equ    $03

;=====
; RTI Definition
;=====
RTI_DISABLE           equ    $00
RTI_8MS               equ    $01
RTI_32MS              equ    $02
RTI_64MS              equ    $03
RTI_128MS             equ    $04
RTI_256MS             equ    $05
RTI_512MS             equ    $06
RTI_1024MS           equ    $07

;=====
; Application Definition
;=====
RC                    equ    PTAD_PTAD0
mRC                   equ    mPTAD_PTAD0
TEMPSEN               equ    PTAD_PTAD1
mTEMPSEN              equ    mPTAD_PTAD1
HALL                  equ    PTAD_PTAD2
mHALL                 equ    mPTAD_PTAD2
BUZZER                equ    PTAD_PTAD3
mBUZZER               equ    mPTAD_PTAD3
PWM2                  equ    PTAD_PTAD4
mPWM2                 equ    mPTAD_PTAD4
PWM1                  equ    PTAD_PTAD5
mPWM1                 equ    mPTAD_PTAD5

MinDeadTime           equ    2
MaxDeadTime           equ    150

TableStart:          equ    $00003E00
;=====
; Application Macro
;=====
StartTimer: macro
    mov    DeadTime, MTIMMOD                ; OF period
    mov    #(mMTIMSC_TRST|mMTIMSC_TOIE), MTIMSC; Reset and Start Timer
    endm

    org    TINY_RAMStart
; variable/data section
DeadTime      ds.b 1

```

```

TargetPeriod    ds.b 1
ActualPeriod    ds.b 1
DriveTime       ds.b 1
SensorReading   ds.b 1
MotorRunning    ds.b 1

        org     RAMStart
; variable/data section

        org     ROMStart
; code section
main:
Entry:
;-----
; Config ICS
; Device is pre-trim to 16MHz ICLK frequency
; TRIM value are stored in $3FFA:$3FFB
;-----
        mov     #HIGH_6_13(NV_ICSTRM), PAGESEL
        mov     MAP_ADDR_6(NV_FTRIM), ICSSC    ; $3FFB
        mov     MAP_ADDR_6(NV_ICSTRM), ICSTRM ; $3FFA
        mov     #ICS_DIV_2, ICSC2             ; Use 4MHz

;-----
; Config System
;-----
        mov     #HIGH_6_13(SOPT), PAGESEL     ; Init Page register
        mov     #(mSOPT_COPT|mSOPT_STOPE), MAP_ADDR_6(SOPT)
                                                ; BKGD disable, COP disabled
        mov     #(mSPMSC1_LVDE|mSPMSC1_LVDRE), MAP_ADDR_6(SPMSC1); LVI enable
        mov     #(RTI_128MS), MAP_ADDR_6(SRTISC) ; 128ms RTI

;-----
; Init RAM
;-----
        mov     #MaxDeadTime, DeadTime
        mov     #232, TargetPeriod            ; 1000 rpm
        mov     #232, ActualPeriod           ; 1000 rpm
        clr     SensorReading
        clr     MotorRunning

;-----
; Config GPIO
; RC - init L
; Buzzer - init L
; PWMn/PWMP - init L
;-----
        clr     PTAD                          ; Initial low
        mov     #(mRC|mPWM1|mPWM2), PTADD     ; Set Output pins

;-----
; Config KBI
;-----
        lda     #mHALL
    
```

Implementation

```

        sta    KBIES           ;HALL rising Edge Trigger
        sta    KBIPE         ;KBI Enable

;-----
;Config MTIM
;
;Timer prescalar=256 -> Timer clk = 16kHz
;Bus = 4MHz
;Max OF period = 16.384ms
;Timer resolution = 64us
;-----
        mov    #(MTIM_BUS_CLK|MTIM_DIV_256), MTIMCLK
        mov    #255, MTIMMOD

;-----
;Motor Start Sequence
;-----
ResetPosition:
        mov    #mPWM1, PTAD           ; Lock FAN in reset position
        lda    #30                    ;
Dly1    bsr    Delay                  ; for Delay 0.5s
        dbnza Dly1                    ;
        clr    PTAD                   ; de-energize coils
        bsr    Delay

; Drive L2
        ldx    #mPWM2                 ; Select L2 Coils
        bsr    SetPWM                 ; Drive coil
        bsr    Delay                  ; De-energize coils
        inc    MotorRunning           ; otherwise Update Software flag

;-----
;Fan Control Loop
;-----
FanControlLoop:

;1) Drive L1 coil
        clr    KBIES                   ; HALL falling edge trigger
        ldx    #mPWM1                 ; Select L1 Coil
        bsr    SetPWM                 ; Drive coil

;2) Read Temp Sensor
        jsr    ReadSensor              ; Read Sensor value

;3) Dead time control
        StartTimer                     ; Wait dead time period
        wait
        mov    #(mMTIMSC_TSTP|mMTIMSC_TRST), MTIMSC; mask interrupt and clear flag

;4) Drive L2 coil
        bset   HALL, KBIES             ; HALL rising edge trigger
        ldx    #mPWM2                 ; Select L2 Coil
        bsr    SetPWM                 ; Drive coil

```

```

;5) Read Temp Sensor Again
    bsr    ReadSensor                ; Read Sensor value

;6) Dead time control
    StartTimer

;7) During the dead time, update dead time period every 128ms
    brclr  SRTISC_RTIF, MAP_ADDR_6(SRTISC), UpdateLater; Update PWM duty cycle
    jsr    TableLookup
UpdateLater:
    lda    ActualPeriod
    sub    TargetPeriod    ; Actual-Target
    blo    IncPeriod
    beq    WaitAgain      ; if same, Fan speed reach target then exit

DecPeriod:
                                ; if bigger, decrement DeadTime
    lda    DeadTime
    cmp    #MinDeadTime
    blo    WaitAgain
    dec    DeadTime
    bra    WaitAgain

IncPeriod:
                                ; if smaller, increment DeadTime
    lda    DeadTime
    cmp    #MaxDeadTime
    bhs    WaitAgain
    inc    DeadTime
    bra    WaitAgain

WaitAgain:
;8) Bump COP
    sta    MAP_ADDR_6(SRS)          ; Bump COP
    wait
    mov    #(mMTIMSC_TSTP|mMTIMSC_TRST), MTIMSC; mask interrupt and clear flag

;9) Repeat the control cycle
    bra    FanControlLoop

;%%%%%%%%%%%%%%%%%%%%%%%%%%%%%%%%%%%%%%%%%%%%%%%%%%%%%%%%%%%%%%%%%%%%%%%%%%
; Delay 16ms
;%%%%%%%%%%%%%%%%%%%%%%%%%%%%%%%%%%%%%%%%%%%%%%%%%%%%%%%%%%%%%%%%%%%%%%%%%%
Delay:
    mov    #255, MTIMMOD            ; OF period
    mov    #(mMTIMSC_TRST|mMTIMSC_TOIE), MTIMSC; Reset and Start Timer
    wait
    mov    #(mMTIMSC_TSTP|mMTIMSC_TRST), MTIMSC; mask interrupt and clear flag
    sta    MAP_ADDR_6(SRS)          ; Bump COP
    rts

;%%%%%%%%%%%%%%%%%%%%%%%%%%%%%%%%%%%%%%%%%%%%%%%%%%%%%%%%%%%%%%%%%%%%%%%%%%
; Drive coil
;

```

Implementation

```

; X indicate the coil to be driven
;%%%%%%%%%%%%%%%%%%%%%%%%%%%%%%%%%%%%%%%%%%%%%%%%%%%%%%%%%%%%%%%%%%%%%%%%
SetPWM:
    mov     #255, MTIMMOD                ; OF period
    mov     #(mMTIMSC_TRST|mMTIMSC_TOIE), MTIMSC; Reset and Start Timer

    lda     #20
    mov     #(mKBISC_KBIE), KBISC        ; Enable Interrupt & Edge only
    bset    KBISC_KBACK, KBISC           ; Clear Flag
    stx     PTAD                          ; Drive coil
TimingLoop:
    bclr    MTIMSC_TOF, MTIMSC           ; Clear TOF
    wait
    brset   KBISC_KBF, KBISC, HallFound  ; HALL sensor edge found
    dbnza   TimingLoop
    jmp     MotorHang                    ; If no HALL output, Stop the driving
HallFound:
    mov     MTIMCNT, DriveTime
    cbeqa   #20, StableDrive
    mov     #MaxDeadTime, DriveTime
StableDrive:
    lda     DeadTime
    add     DriveTime
    sta     ActualPeriod
    clr     PTAD                          ; Disconnect coil
    mov     #(mKBISC_KBACK), KBISC       ; Clear Flag and mask interrupt
    mov     #(mMTIMSC_TSTP|mMTIMSC_TRST), MTIMSC; mask interrupt and clear flag
    rts

;%%%%%%%%%%%%%%%%%%%%%%%%%%%%%%%%%%%%%%%%%%%%%%%%%%%%%%%%%%%%%%%%%%%%%%%%
; Read Temperature Sensor Value
; Timer prescalar=8 -> Timer clk~250kHz
; Bus = 2MHz
; Max OF period = 1.02ms
; Timer resolution = 4us
;%%%%%%%%%%%%%%%%%%%%%%%%%%%%%%%%%%%%%%%%%%%%%%%%%%%%%%%%%%%%%%%%%%%%%%%%
ReadSensor:
    mov     #(MTIM_BUS_CLK|MTIM_DIV_8), MTIMCLK; Change Timer resolution
    mov     #63, MTIMMOD                  ; OF period
    mov     #(mMTIMSC_TRST|mMTIMSC_TOIE), MTIMSC; Reset and Start Timer
    mov     #(mACMPSC_ACME|mACMPSC_ACIE|ACMP_OUTPUT_RAISING), ACMPSC
           ; Enable ACMP, start RC rise
    bset    ACMPSC_ACF, ACMPSC            ; Clear ACMP Flag
    wait    ; delay to OF and make the read process deterministic
    brclr   ACMPSC_ACF, ACMPSC, NoReading
    mov     MTIMCNT, SensorReading
    bset    ACMPSC_ACF, ACMPSC           ; Clear ACMP Flag
    clr     ACMPSC                       ; disable ACMP
    wait
    mov     #(mMTIMSC_TSTP|mMTIMSC_TRST), MTIMSC; mask interrupt and clear flag
    mov     #(MTIM_BUS_CLK|MTIM_DIV_256), MTIMCLK; Reset Timer resolution
    rts

```

```

NoReading:
    mov    #$00, SensorReading          ; Smallest Number
    clr    ACMPSC                       ; disable ACMP
    mov    #(mMTIMSC_TSTP|mMTIMSC_TRST), MTIMSC ; mask interrupt and clear flag
    mov    #(MTIM_BUS_CLK|MTIM_DIV_256), MTIMCLK; Reset Timer resolution
    rts

;%%%%%%%%%%%%%%%%%%%%%%%%%%%%%%%%%%%%%%%%%%%%%%%%%%%%%%%%%%%%%%%%%%%%%%%%
; 6-bit Table Lookup
;%%%%%%%%%%%%%%%%%%%%%%%%%%%%%%%%%%%%%%%%%%%%%%%%%%%%%%%%%%%%%%%%%%%%%%%%
TableLookup:
    bset   SRTISC_RTIACK, MAP_ADDR_6(SRTISC);5
    mov    #HIGH_6_13(TableStart), PAGESEL;5 Calculate the PAGE
    lda    SensorReading                 ;3
    add    #$c0                          ;2 Reference to paging window
    tax                                  ;2
    lda    ,x                            ;3
    sta    TargetPeriod                  ;2
    mov    #HIGH_6_13(SOPT), PAGESEL     ;5
    rts                                   ;3

;%%%%%%%%%%%%%%%%%%%%%%%%%%%%%%%%%%%%%%%%%%%%%%%%%%%%%%%%%%%%%%%%%%%%%%%%
; Error Handling
; Stop the motor
; Sound the buzzer (about 520Hz)
;%%%%%%%%%%%%%%%%%%%%%%%%%%%%%%%%%%%%%%%%%%%%%%%%%%%%%%%%%%%%%%%%%%%%%%%%
MotorHang:
    clr    PTAD                          ; clear PWMp and PWMn
    lda    MotorRunning                  ; Check software flag
    bne    SoundBuzzer                  ; =1, Motor is running
    jmp    ResetPosition

SoundBuzzer:
    mov    #(mMTIMSC_TSTP|mMTIMSC_TRST), MTIMSC; mask interrupt and clear flag
    clr    KBISC                         ; mask KBI

    lda    #255
    sta    MAP_ADDR_6(SRS)               ; Bump COP

Beep:
    bset   BUZZER, PTAD                  ; Drive buzzer
    mov    #6, MTIMMOD
    mov    #(mMTIMSC_TRST|mMTIMSC_TOIE), MTIMSC; Reset and Start Timer
    wait
    mov    #(mMTIMSC_TSTP|mMTIMSC_TRST), MTIMSC; mask interrupt and clear flag
    sta    MAP_ADDR_6(SRS)               ; Bump COP

    bclr   BUZZER, PTAD                  ; Clear buzzer
    mov    #24, MTIMMOD
    mov    #(mMTIMSC_TRST|mMTIMSC_TOIE), MTIMSC; Reset and Start Timer
    wait
    mov    #(mMTIMSC_TSTP|mMTIMSC_TRST), MTIMSC; mask interrupt and clear flag
    sta    MAP_ADDR_6(SRS)               ; Bump COP
    dbnza Beep

```

Implementation

```

        lda    #255
Quiet:   bclr    BUZZER, PTAD                ; Clear buzzer
        mov    #30, MTIMMOD
        mov    #(mMTIMSC_TRST|mMTIMSC_TOIE), MTIMSC; Reset and Start Timer
        wait
        mov    #(mMTIMSC_TSTP|mMTIMSC_TRST), MTIMSC; mask interrupt and clear flag
        sta    MAP_ADDR_6(SRS)        ; Bump COP
        dbnza  Quiet

        bra    SoundBuzzer

;%%%%%%%%%%%%%%%%%%%%%%%%%%%%%%%%%%%%%%%%%%%%%%%%%%%%%%%%%%%%%%%%%%%%%%%%%%
; Lookup Table
;%%%%%%%%%%%%%%%%%%%%%%%%%%%%%%%%%%%%%%%%%%%%%%%%%%%%%%%%%%%%%%%%%%%%%%%%%%
org     TableStart

        dc.b   57, 57, 57, 57, 57, 60, 63, 67, 71, 76, 82, 82, 88, 88, 96, 96
        dc.b   105,105,115,115,115,128,128,128,128,144,144,144,144,165,165,165
        dc.b   165,193,193,193,193,193,232,232,232,232,232,232,232,232,232
        dc.b   232,232,232,232,232,232,232,232,232,232,232,232,232,232,232

;%%%%%%%%%%%%%%%%%%%%%%%%%%%%%%%%%%%%%%%%%%%%%%%%%%%%%%%%%%%%%%%%%%%%%%%%%%
; Reset Vector
;%%%%%%%%%%%%%%%%%%%%%%%%%%%%%%%%%%%%%%%%%%%%%%%%%%%%%%%%%%%%%%%%%%%%%%%%%%
        org    $3ffc
Security:
        dc.b   $FF
        jmp    main

```


How to Reach Us:

Home Page:

www.freescale.com

E-mail:

support@freescale.com

USA/Europe or Locations Not Listed:

Freescale Semiconductor
Technical Information Center, CH370
1300 N. Alma School Road
Chandler, Arizona 85224
+1-800-521-6274 or +1-480-768-2130
support@freescale.com

Europe, Middle East, and Africa:

Freescale Halbleiter Deutschland GmbH
Technical Information Center
Schatzbogen 7
81829 Muenchen, Germany
+44 1296 380 456 (English)
+46 8 52200080 (English)
+49 89 92103 559 (German)
+33 1 69 35 48 48 (French)
support@freescale.com

Japan:

Freescale Semiconductor Japan Ltd.
Headquarters
ARCO Tower 15F
1-8-1, Shimo-Meguro, Meguro-ku,
Tokyo 153-0064
Japan
0120 191014 or +81 3 5437 9125
support.japan@freescale.com

Asia/Pacific:

Freescale Semiconductor Hong Kong Ltd.
Technical Information Center
2 Dai King Street
Tai Po Industrial Estate
Tai Po, N.T., Hong Kong
+800 2666 8080
support.asia@freescale.com

For Literature Requests Only:

Freescale Semiconductor Literature Distribution Center
P.O. Box 5405
Denver, Colorado 80217
1-800-441-2447 or 303-675-2140
Fax: 303-675-2150
LDCForFreescaleSemiconductor@hibbertgroup.com

RoHS-compliant and/or Pb-free versions of Freescale products have the functionality and electrical characteristics of their non-RoHS-compliant and/or non-Pb-free counterparts. For further information, see <http://www.freescale.com> or contact your Freescale sales representative.

For information on Freescale's Environmental Products program, go to <http://www.freescale.com/epp>.

Information in this document is provided solely to enable system and software implementers to use Freescale Semiconductor products. There are no express or implied copyright licenses granted hereunder to design or fabricate any integrated circuits or integrated circuits based on the information in this document.

Freescale Semiconductor reserves the right to make changes without further notice to any products herein. Freescale Semiconductor makes no warranty, representation or guarantee regarding the suitability of its products for any particular purpose, nor does Freescale Semiconductor assume any liability arising out of the application or use of any product or circuit, and specifically disclaims any and all liability, including without limitation consequential or incidental damages. "Typical" parameters that may be provided in Freescale Semiconductor data sheets and/or specifications can and do vary in different applications and actual performance may vary over time. All operating parameters, including "Typicals", must be validated for each customer application by customer's technical experts. Freescale Semiconductor does not convey any license under its patent rights nor the rights of others. Freescale Semiconductor products are not designed, intended, or authorized for use as components in systems intended for surgical implant into the body, or other applications intended to support or sustain life, or for any other application in which the failure of the Freescale Semiconductor product could create a situation where personal injury or death may occur. Should Buyer purchase or use Freescale Semiconductor products for any such unintended or unauthorized application, Buyer shall indemnify and hold Freescale Semiconductor and its officers, employees, subsidiaries, affiliates, and distributors harmless against all claims, costs, damages, and expenses, and reasonable attorney fees arising out of, directly or indirectly, any claim of personal injury or death associated with such unintended or unauthorized use, even if such claim alleges that Freescale Semiconductor was negligent regarding the design or manufacture of the part.

Freescale™ and the Freescale logo are trademarks of Freescale Semiconductor, Inc. All other product or service names are the property of their respective owners.

© Freescale Semiconductor, Inc. 2006. All rights reserved.