

DSP56300 Family Manual Addendum

This document provides updated information for revision 5 of the *DSP56300 Family Manual (DSP56300FM/AD)*. The updates include the following:

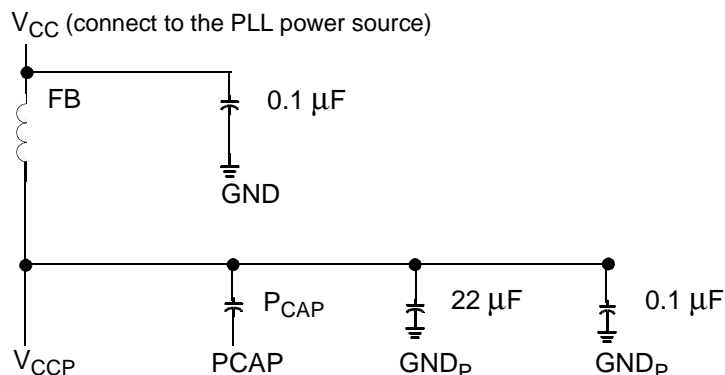
- Modified **Figure 6-5** to reflect the differences in core voltages across the product family.
- Modified assembler syntax font to improve readability for the ASL instruction.
- Modified assembler syntax font to improve readability for the ASR instruction.

CONTENTS

1	Recommended PLL Filter Circuit.....	2
2	ASL Instruction Assembler Syntax	2
3	ASR Instruction Assembler Syntax	2

1 Recommended PLL Filter Circuit

Area to Change **Change Description**
Chapter 6, PLL and Clock Generator,
p. 6-11



- Notes:**
1. FB = Ferrite Bead with 600 Ω impedance at 100 MHz, 12 Ω at DC.
 2. PCAP value calculated according to the product specific data sheet.
 3. Some DSP56300 devices use power supplies for the cores and PLLs that differ from the device I/O voltage. Some contain PLLs that use different source voltages. Always connect FB to the specific power source for the PLL being protected. Refer to the individual product data sheet for details.

Figure 6-5. PLL Filter Circuit

2 ASL Instruction Assembler Syntax

Area to Change **Change Description**
Chapter 13, ASL After the heading **Assembler Syntax**, replace the indented text with the following:
description,
p. 13-14

ASL D (parallel move)
ASL #ii,S2,D
ASL S1,S2,D

Note: This is a font change only to assist in readability.

3 ASR Instruction Assembler Syntax

Area to Change **Change Description**
Chapter 13, ASR After the heading **Assembler Syntax**, replace the indented text with the following:
description,
p. 13-16

ASR D (parallel move)
ASR #ii,S2,D
ASR S1,S2,D

Note: This is a font change only to assist in readability.

How to Reach Us:

Home Page:

www.freescale.com

Web Support:

<http://www.freescale.com/support>

USA/Europe or Locations Not Listed:

Freescale Semiconductor, Inc.
Technical Information Center, EL516
2100 East Elliot Road
Tempe, Arizona 85284
+1-800-521-6274 or
+1-480-768-2130
www.freescale.com/support

Europe, Middle East, and Africa:

Freescale Halbleiter Deutschland GmbH
Technical Information Center
Schatzbogen 7
81829 Muenchen, Germany
+44 1296 380 456 (English)
+46 8 52200080 (English)
+49 89 92103 559 (German)
+33 1 69 35 48 48 (French)
www.freescale.com/support

Japan:

Freescale Semiconductor Japan Ltd.
Headquarters
ARCO Tower 15F
1-8-1, Shimo-Meguro, Meguro-ku
Tokyo 153-0064
Japan
0120 191014 or
+81 3 5437 9125
support.japan@freescale.com

Asia/Pacific:

Freescale Semiconductor China Ltd.
Exchange Building 23F
No. 118 Jianguo Road
Chaoyang District
Beijing 100022
China
+86 010 5879 8000
support.asia@freescale.com

For Literature Requests Only:

Freescale Semiconductor
Literature Distribution Center
P.O. Box 5405
Denver, Colorado 80217
+1-800 441-2447 or
+1-303-675-2140
Fax: +1-303-675-2150
LDCForFreescaleSemiconductor@hibbertgroup.com

Information in this document is provided solely to enable system and software implementers to use Freescale Semiconductor products. There are no express or implied copyright licenses granted hereunder to design or fabricate any integrated circuits or integrated circuits based on the information in this document.

Freescale Semiconductor reserves the right to make changes without further notice to any products herein. Freescale Semiconductor makes no warranty, representation or guarantee regarding the suitability of its products for any particular purpose, nor does Freescale Semiconductor assume any liability arising out of the application or use of any product or circuit, and specifically disclaims any and all liability, including without limitation consequential or incidental damages. "Typical" parameters which may be provided in Freescale Semiconductor data sheets and/or specifications can and do vary in different applications and actual performance may vary over time. All operating parameters, including "Typicals" must be validated for each customer application by customer's technical experts. Freescale Semiconductor does not convey any license under its patent rights nor the rights of others. Freescale Semiconductor products are not designed, intended, or authorized for use as components in systems intended for surgical implant into the body, or other applications intended to support or sustain life, or for any other application in which the failure of the Freescale Semiconductor product could create a situation where personal injury or death may occur. Should Buyer purchase or use Freescale Semiconductor products for any such unintended or unauthorized application, Buyer shall indemnify and hold Freescale Semiconductor and its officers, employees, subsidiaries, affiliates, and distributors harmless against all claims, costs, damages, and expenses, and reasonable attorney fees arising out of, directly or indirectly, any claim of personal injury or death associated with such unintended or unauthorized use, even if such claim alleges that Freescale Semiconductor was negligent regarding the design or manufacture of the part.

Freescale™ and the Freescale logo are trademarks of Freescale Semiconductor, Inc. All other product or service names are the property of their respective owners.

© Freescale Semiconductor, Inc. 1996, 2008.