



August 29, 2011

Qorivva 32-bit MCU Architecture Provides a Platform Solution with Advanced Security for Body Electronics

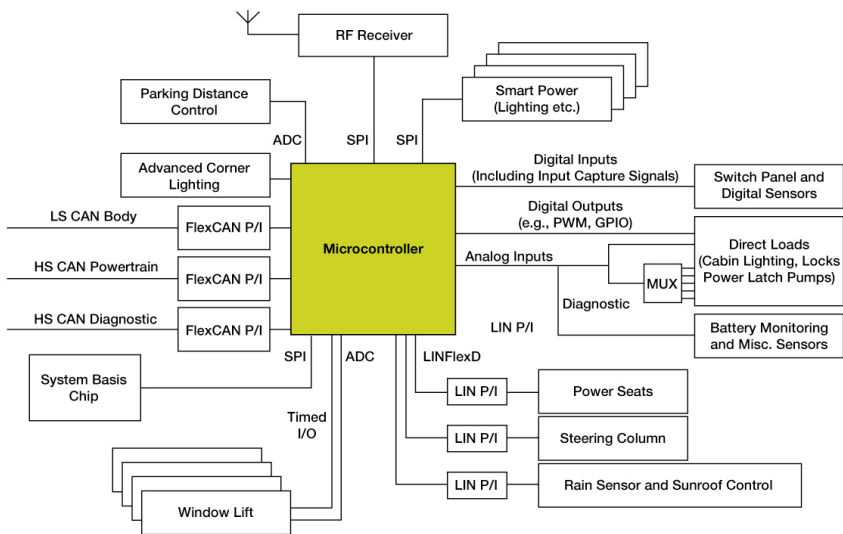
Understanding Body Electronics

Except for those engineers who design and develop body electronics, the complexity of these systems is often misunderstood and understated. Unlike powertrain control that has a well-defined control loop with microseconds or less to perform the required tasks, the complexity of body electronics is quite different. Sophisticated body electronics applications involve hundreds of tasks running in parallel—essentially hundreds of events that have to be prioritized and executed through multiple and potentially overloaded communication channels.

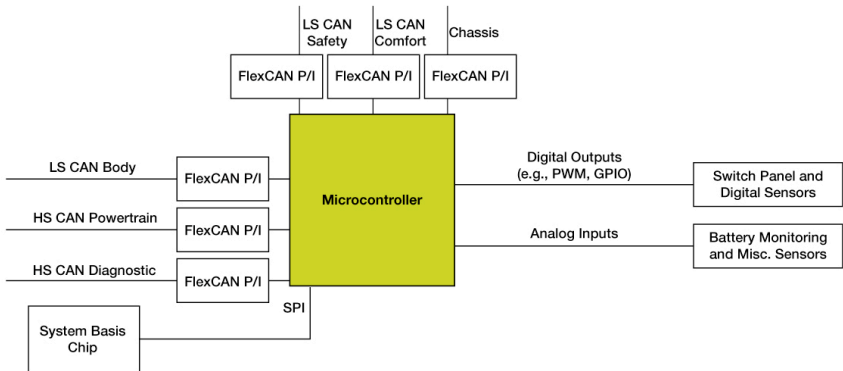
Responding to driver and passenger requests through (in many cases) switches instead of sensors the body control module (BCM) activates the air conditioner, heater or fan, raises and lowers windows, moves seats back and forth and locks or unlocks doors, all of which are rather simple functions. In some instances, such as temperature control, especially automatic temperature control, the functions are not as simple. Some body electronics aspects and tasks, such as windshield wipers and lighting, are safety-critical functions and have added complexity. Figure 1 shows the architecture of a body electronic control implemented by a single microcontroller (MCU).

Figure 1. Application block diagrams for (a) BCM and (b) gateway application.

A.



B.



Although body electronics features are rather simple, there can be many of them; the number keeps increasing and they are distributed throughout the vehicle. In fact, many functions are not necessarily in the body controller. Distributed remote functions make body electronics communications intense, especially in gateway applications.

Numerous interrupt-driven tasks require strict software architectures to preserve real-time control. In addition to throughput, bandwidth, memory and the right peripherals, a body electronics MCU must have *performance available* (sufficient available capacity) to handle a variety of situations.

Reuse of proven, validated software is extensive in body electronics. While simplifying software development, reuse of legacy code requires wrappers around functions—new software to deal with the older software. This layering of software can ultimately create extreme CPU loading.

Finally, body electronics is all about options. As a result, a basic car might only use 1 MB or less of code to support a limited number of options. In a fully-featured luxury vehicle, extra modules are added to the control bus requiring more memory in the body control module. However, software in the BCM is the same from low to high end. This requires scalability for the MCUs supporting the range of vehicles.

With over 20 years experience in innovating body electronic microcontrollers, Freescale continues to expand the body electronics MCU capability to address the industry's future challenges

Dealing with Complexity: Qorivva Automotive Microcontrollers

The newest body electronics microcontrollers, MPC564xB/C products, are based on Freescale's Qorivva 32-bit MCUs built on Power Architecture® technology. Initially launched in 1999 for automotive applications, Freescale's 32-bit products are an integral part in many new vehicles. Specifically designed and qualified for automotive applications, the Qorivva architecture encompasses single-core all the way to dual-core and multi-core solutions with several connectivity peripherals at the high end.

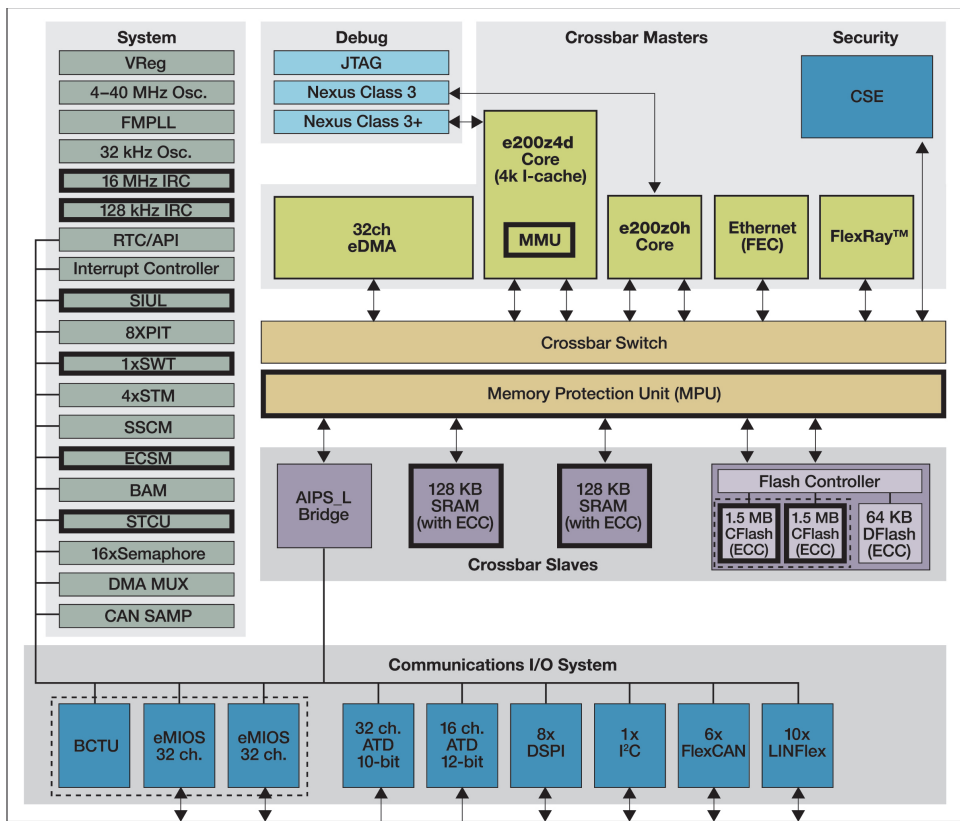
With the addition of the MPC564xB/C products, Qorivva MCUs provide a 32-bit platform solution, hardware architecture and software framework for body electronics (modules). This allows body electronic module suppliers to avoid completely redesigning a body electronics module for minor function changes between customers. The broad product derivative offering with the MPC564xB/C family can handle different customers' requirements with the same MCU. This provides a simplified system solution for body electronics module suppliers to address with variable hardware and software boundaries.

As a compatible extension to existing products, the newest MPC564xB/C offerings extend the platform to address a wide range of automotive OEM requirements. In addition, MPC564xB/C MCUs bring advanced features like security to automotive applications—the first MCUs for the automotive market that incorporate a cryptographic services engine (CSE) that meets the Secure Hardware Encryption (SHE) specification. This specification was developed under the umbrella of the [Hersteller Initiative Software](#) (HIS) consortium of European carmakers. As a result of its platform approach, the MPC564xB/C family covers body electronics from top to bottom.

A Platform Solution

Multi-core devices are becoming more common in the automobile because of the benefits they provide for both improved performance and reduced power consumption. In the MPC564xB/C MCUs, the main core can run up to 120 MHz and the smaller core up to 80 MHz to achieve 300 DMIPS. The high-level performance allows the execution of large amounts of code in a CPU-intensive BCM and gateway applications. For reduced power consumption, the main core can be turned off or put in a wait mode, while the smaller core that uses less power runs to check messages and can decide if it needs to wake up the main core to handle a more demanding task. The block diagram in Figure 2 shows the two cores and other key architectural aspects of MPC564xB/C products.

Figure 2. The Qorivva [MPC564xB/C block diagram](#) identifies the many advanced features of the newest MPC564xB/C body control MCU.



Safety Relevant Feature

Memory Options

The newest MPC56xxB/C MCUs have from 1.5 MB to 3 MB of flash and up to 256 KB of RAM. The 3 MB of flash is the largest amount in the MPC564xB/C body electronics family and one of the largest in the market.

The large amount of RAM can handle the message buffering required for all the communications peripherals interfacing to the different nodes in body electronics. The 256k RAM also supports the requirements of auto-generated software in AUTOSAR. AUTOSAR-based software platforms require more RAM, which this part accommodates. AUTOSAR is increasingly being used in the body gateway applications.

Low-Power Consumption

The device has several lower power, wait and standby modes to minimize power consumption. Depending which of the three standby modes is used (see Table 1), current can be reduced from typical values of 60 µA in standby3 down to 45 µA in standby2 to 25 µA in standby1 modes. Internal oscillators support the low-power modes and provide fast wake-up.

Table 1. Low-power modes enhance the MPC564xB/C MCU’s ability to reduce power consumption.

Mode	Condition	Typical	Max
STOP	25°C	400 µA	1200 µA
STANDBY1 (8 KB RAM retained)	25°C	25 µA	75 µA
STANDBY2 (64 KB RAM retained)	25°C	45 µA	135 µA
STANDBY3 (96 KB RAM retained)	25°C	60 µA	175 µA

Enhanced Communications

As cars incorporate an increasing amount of electronics, the body electronics module's responsibilities increase to handle the additional components and message traffic. Because of the gateway functionality of the BCM, the MPC564xB/C has enhanced communication capabilities to tackle the extensive communication between CAN, LIN, FlexRay™ and Ethernet buses.

Ethernet is becoming more commonly used for diagnostics for the vehicle and for reprogramming in the factory or in new firmware or software. FlexRay is a communication backbone for safety and chassis networks. CAN and LIN communicate to other body electronics nodes. Table 2 shows the available, cores, memory and Ethernet options for the MPC564xB/C.

Table 2. The six MPC564xB/C MCUs provide a variety of application options.

Features	MPC5644B	MPC5644C	MPC5645B	MPC5645C	MPC5646B	MPC5646C
Cores	e200z4	e200z4+e200z0	e200z4	e200z4+e200z0	e200z4	e200z4+e200z0
Core Frequency	Up to 120 MHz	Up to 120 MHz (z4) Up to 80 MHz (z0)	Up to 120 MHz	Up to 120 MHz (z4) Up to 80 MHz (z0)	Up to 120 MHz	Up to 120 MHz (z4) Up to 80 MHz (z0)
Flash	1.5 MB	1.5 MB	2 MB	2 MB	3 MB	3 MB
RAM	128 KB	192 KB	160 KB	256 KB	192 KB	256 KB
SCI (LINFLEX)	10	10	10	10	10	10
SPI (DSPI)	8	8	8	8	8	8
CAN (FLEXCAN)	6	6	6	6	6	6
FlexRay	Yes	Yes	Yes	Yes	Yes	Yes
Ethernet	No	Yes	No	Yes	No	Yes
Packages	LQFP 176/208	LQFP 176/208 BGA 256	LQFP 176/208	LQFP 176/208 BGA 256	LQFP 176/208	LQFP 176/208 BGA 256

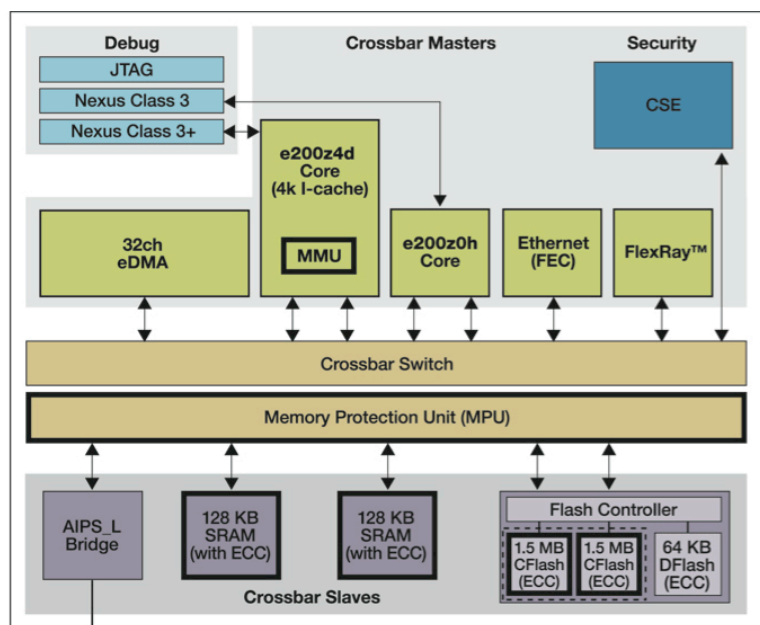
Crossbar

Another important feature of the family is the crossbar, an architectural concept that provides additional performance and scalability. As shown in Figure 3, the crossbar consists of masters, slaves, a crossbar switch and a memory protection unit. The crossbar switch allows parallel access between masters and slaves and another means to maximize performance.

With the crossbar, any master can communicate with any slave, while a different master is simultaneously talking to a different slave. For example, the core can access data from flash memory while the DMA communicates over the communications bridge to a DSPI module to obtain a message transmitted from another module. Meanwhile, the Ethernet module stores incoming messages in a separate RAM block as the DMA is using to download new code.

This parallel operation provides a higher performance level because the MCU does not have to wait for the completion of one data transfer before starting another. The crossbar performs the same functions on a low-end or high-end MCU—only the number of data paths change. This function can also provide memory mapping (flash and RAM) for additional performance in multi-core scenarios optimizing where data and code is stored to maximize the use of the crossbar.

Figure 3. The crossbar allows parallel access to on-chip resources for maximum system performance.



Safety Relevant Feature

As features are added to the product family in the architecture, such as an Ethernet port, the crossbar creates a data path to the RAM so the new feature has a minimal performance penalty. The crossbar handles the added requirements without creating excessive overhead on the system.

Safety-Relevant Functionality

There are four specific safety areas in body control: front lighting, windshield wipers, rear brake lights and the steering column lock. Qorivva designers incorporated several features to improve the system’s dependability and robustness. (See identified safety-relevant areas in Figure 2). Without the safety-relevant features of the MPC564xB/C, redundancy must be added to the system to ensure proper operation of these functions.

AUTOSAR 4.0 Ready/Compliant

MPC564xB/C MCUs are ready to support AUTOSAR 4.0. [AUTOSAR](#) (AUTomotive Open System Architecture) is an open and standardized automotive software architecture, jointly developed by automobile manufacturers, suppliers and tool developers. It specifies the low-level drivers and operating systems that allow automotive microcontrollers to share resources across all applications.

AUTOSAR has progressed from a 1.0 to 3.x version today, however the 4.0 version is imminent. It exists as a draft specification today and its release is expected in the second half of 2011. AUTOSAR 4.0 will be the first version to include multi-core support. With AUTOSAR specifications in place for this support, multi-core architectures can be easily designed into vehicles. As a member of AUTOSAR and an integral part of the development of AUTOSAR 4.0 with the MPC564xB/C, Freescale is prepared to be one of the first implementers of a multi-core architecture that is AUTOSAR 4.0 ready.

Security

Modern vehicles have an increasing need for security. As shown in Table 3, security applications include immobilizers to prevent car theft, component protection for modules and protection against data theft such as tampering with the mileage on the car. Security can also prevent tuning or modifying anything that would violate the warranty, as well as protecting personal information, such as a phone book or any financial information for transactions that occur in the vehicle.

Table 3. Security use cases/applications in automotive body electronics.

Immobilizers
Component protection
Flash updates
Protecting data sets (e.g. mileage)/prevent chip tuning
Protecting personal information (last destinations, phone book, etc.)
Feature management (e.g. navigation map) and digital rights management (DRM)
Secure communication
Protecting software and IP
Secure boot

In the future, the need for a high level of security will expand far beyond today's applications. Cars are expected to hold even more information as they become smart cards on wheels to simplify financial transactions at gas pumps, charging stations, parking lots, toll booths, drive-thru establishments and more. The vehicle will act as a smart card and pay your fee/fare—sometimes automatically.

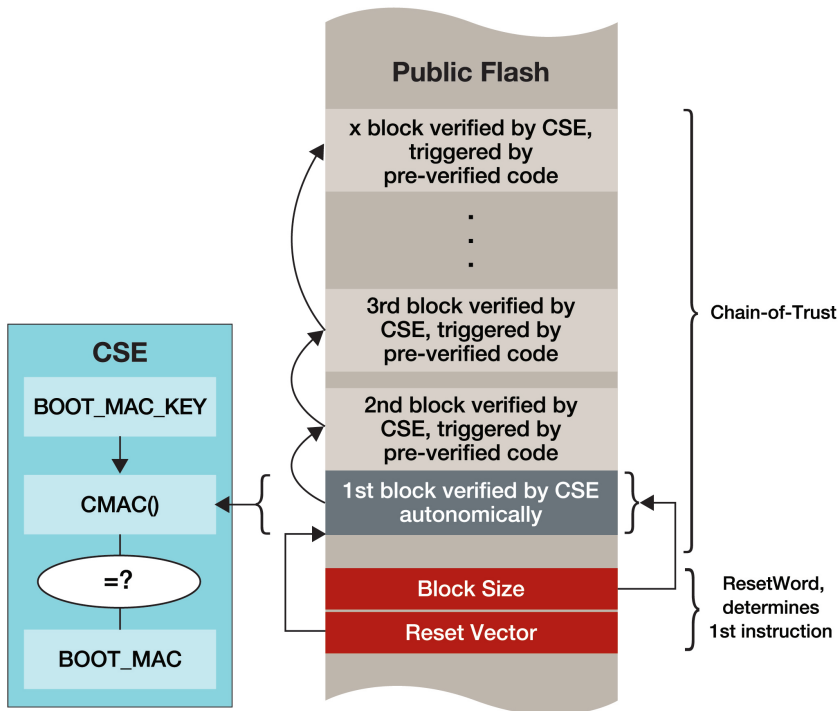
There are many ways that security is implemented today, but the MPC564xB/C is the first product to meet the SHE specification. The SHE spec moves the control of the security keys from software into the hardware domain and protects the keys from software attacks. Hardware-based security is more robust than software-only security. The MPC564xB/C has additional features that improve on that security.

The cryptographic services engine (CSE) designed by Freescale implements the SHE specification. Nonvolatile as well as RAM memory protected within the core contain data that is only accessible via the CSE module. The CSE provides a hardware location for the security keys. In addition to the keys, the module has cryptographic algorithms that it can accelerate including the National Institute of Standards and Technology ([NIST AES-128 standard](#)).

The secure boot is the basis for establishing the root for trust for all of the use cases in Table 3. Without secure boot, the others will not work or have compromised security. As shown in Figure 4, when the module first starts up, the CSE module checks a small section of the flash module and verifies that all the content in that section is correct. Then it checks each remaining section until it has verified the entire flash array to ensure that it has not been tampered with since the last start-up. The CSE offers cryptographic services only if the flash integrity was proven.

After it verifies that it is dealing with a secure environment and ensures that the device itself has not been compromised/hacked in the public flash area, the CSE transmits encrypted data to and from the public flash. This is one of the unique capabilities of MPC564xB/C. Secure-boot helps to verify the system integrity via the cipher-based MAC algorithm.

Figure 4. The CSE and secure-boot process provide a chain-of-trust for vehicle security applications



Growing with Increasing Complexity

Similar to other Freescale automotive electronics' firsts, the Qorivva architecture has its own firsts for the body electronics market. Qorivva family firsts include: the first body control MCU with 3 MB of flash memory, the first with cryptography and the first AUTOSAR 4.0 multi-core ready.

The award-winning family (recognized by *Design & Electronik's* [embedded Award 2011 in the hardware category](#)) also has the validation of customers with multiple design wins that confirm the value of the architecture.

Designed for body electronics, the Qorivva architecture and MPC564xB/C MCUs have the ability to handle a wide range of applications. The MCU platform solution provides the foundation for tier one body control module platform solutions to easily address automotive requirements from low-end to high-end vehicles with the security that carmakers demand—now and in the future.

How to Reach Us

Home Page:
freescale.com

Web Support:
freescale.com/support

USA/Europe or Locations Not Listed:
Freescale Semiconductor, Inc.
Technical Information Center, EL516
2100 East Elliot Road
Tempe, Arizona 85284
+1-800-521-6274 or +1-480-768-2130
freescale.com/support

Europe, Middle East and Africa:
Freescale Halbleiter Deutschland GmbH
Technical Information Center
Schatzbogen 7
81829 Muenchen, Germany
+44 1296 380 456 (English)
+46 8 52200080 (English)
+49 89 92103 559 (German)
+33 1 69 35 48 48 (French)
freescale.com/support

Japan:
Freescale Semiconductor Japan Ltd.
Headquarters
ARCO Tower 15F
1-8-1, Shimo-Meguro, Meguro-ku,
Tokyo 153-0064, Japan
0120 191014
+81 3 5437 9125
support.japan@freescale.com

Asia/Pacific:
Freescale Semiconductor Hong Kong Ltd
Technical Information Center
2 Dai King Street
Tai Po Industrial Estate,
Tai Po, N.T., Hong Kong
+800 2666 8080
support.asia@freescale.com

For Literature Requests Only:
Freescale Semiconductor
Literature Distribution Center
P.O. Box 5405
Denver, Colorado 80217
1-800-441-2447
303-675-2140
Fax: 303-675-2150
LDCForFreescaleSemiconductor@hibbertgroup.com

Information in this document is provided solely to enable system and software implementers to use Freescale Semiconductor products. There are no express or implied copyright license granted hereunder to design or fabricate any integrated circuits or integrated circuits based on the information in this document.

Freescale Semiconductor reserves the right to make changes without further notice to any products herein. Freescale Semiconductor makes no warranty, representation or guarantee regarding the suitability of its products for any particular purpose, nor does Freescale Semiconductor assume any liability arising out of the application or use of any product or circuit, and specifically disclaims any and all liability, including without limitation consequential or incidental damages. "Typical" parameters which may be provided in Freescale Semiconductor data sheets and/or specifications can and do vary in different applications and actual performance may vary over time. All operating parameters, including "Typicals" must be validated for each customer application by customer's technical experts. Freescale Semiconductor does not convey any license under its patent rights nor the rights of others. Freescale Semiconductor products are not designed, intended, or authorized for use as components in systems intended for surgical implant into the body, or other applications intended to support or sustain life, or for any other application in which the failure of the Freescale Semiconductor product could create a situation where personal injury or death may occur. Should Buyer purchase or use Freescale Semiconductor products for any such unintended or unauthorized application, Buyer shall indemnify and hold Freescale Semiconductor and its officers, employees, subsidiaries, affiliates, and distributors harmless against all claims, costs, damages, and expenses, and reasonable attorney fees arising out of, directly or indirectly, any claim of personal injury or death associated with such unintended or unauthorized use, even if such claim alleges that Freescale Semiconductor was negligent regarding the design or manufacture of the part.